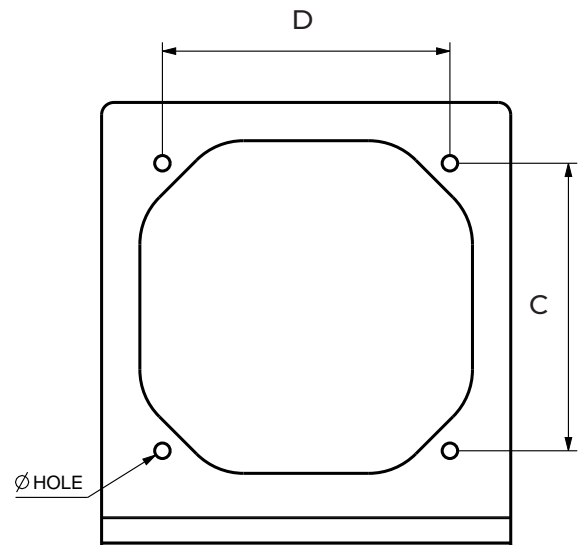
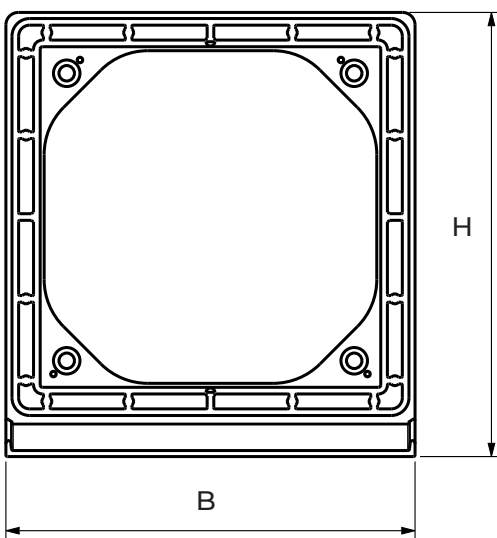
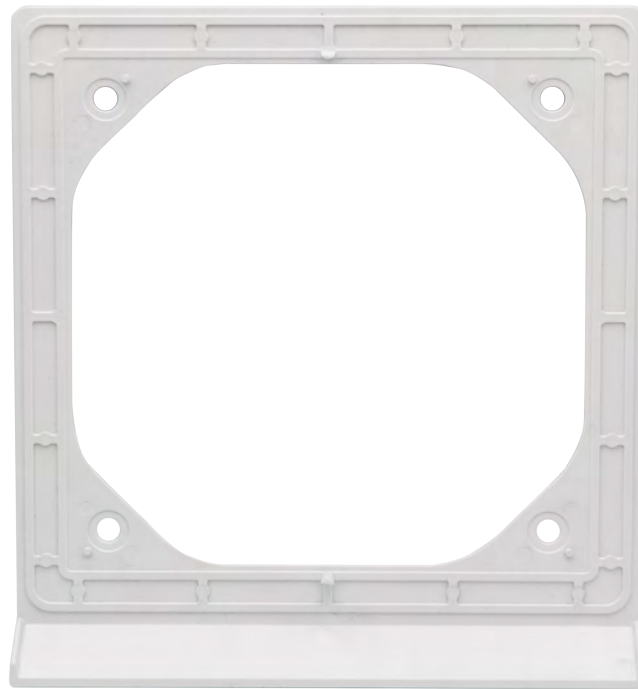



NEWS

CONDENSATION DRIP-BREAK FRAME *for grilles and cowled hooded grilles*

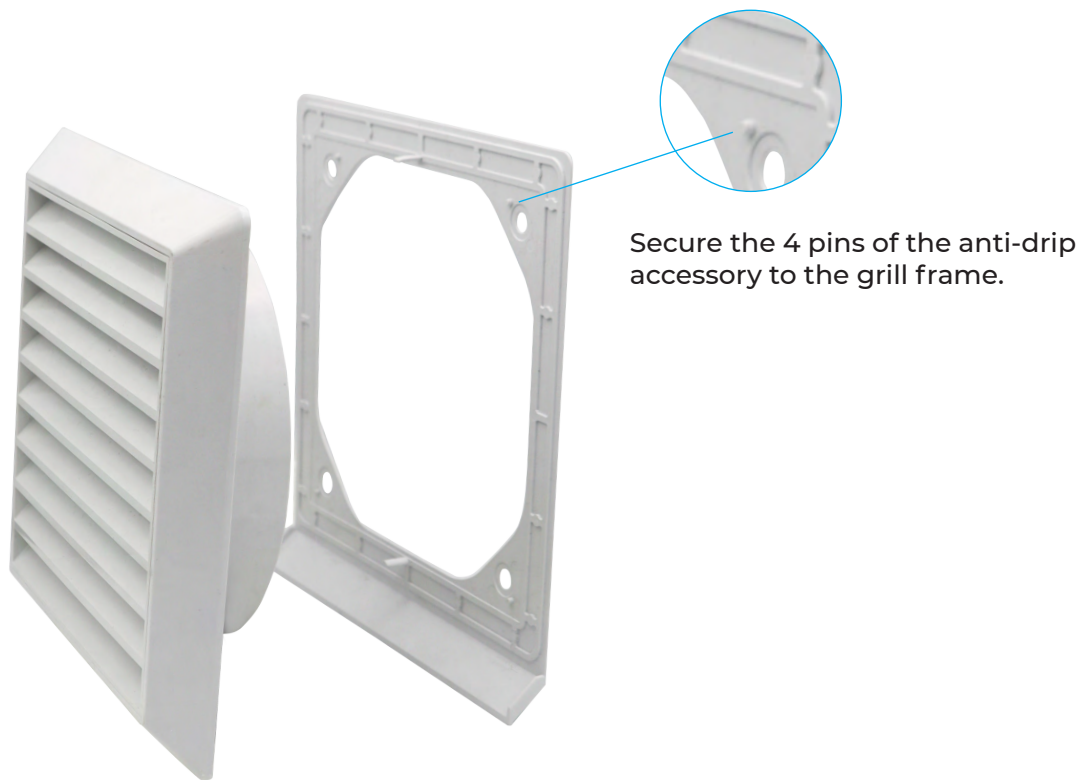


TECHNICAL FEATURES



Item	Colour	BxH mm	Ø Hole mm	CxD mm Mounting distance	S mm	
AGO19B	white	185x200	7	130x130	15	9

INSTALLATION



APPLICATION

It prevents any unsightly drips on the walls caused by weather conditions or condensation leaking from the pipe, generated by devices such as hoods, extractors, and heat exchangers.

Accessory suitable for following series:



C19



S19



CP19

BEFORE



AFTER



LA VENTILAZIONE

Edil Plast S.R.L.
Via Mastro Giorgio, 2
Z.I. Villa Selva
47122 Forlì (FC) - Italia
Tel +39 0543 754811
Email: edilplast@firstcor.com



www.firstcor.com



FIRST
CORPORATION



dal 1966

MADE IN

ITALY