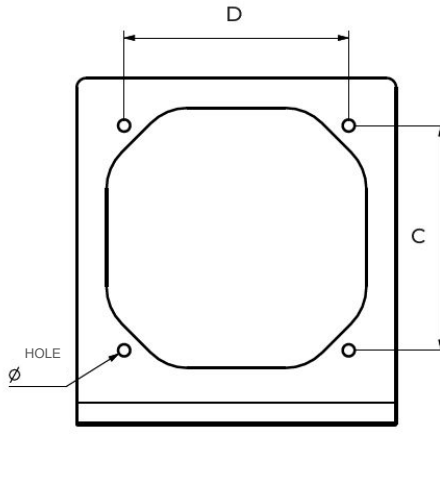
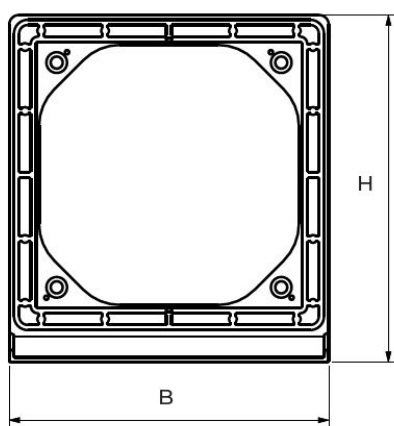
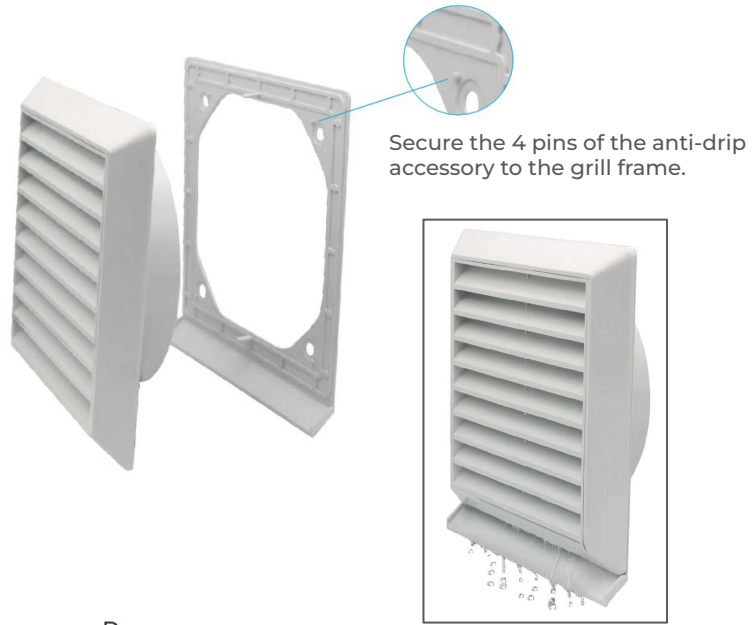
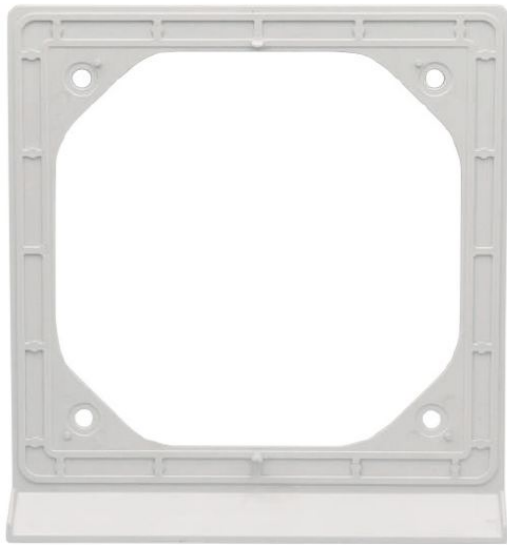


## CONDENSATION DRIP-BREAK FRAME for grilles and cowled hooded grilles



Accessory suitable for following series:

- C19
- S19
- CP19

Item	Colour	BxH mm	Ø Hole mm	Mounting distance CxD mm	S mm
<b>AGO19B</b>	white	185x200	7	130x130	15

**Descrizione:** Accessory suitable for following series C19 - S19 - CP19

**Materiale:** ABS

**Caratteristiche:** It prevents any unsightly drips on the walls caused by weather conditions or condensation leaking from the pipe, generated by devices such as hoods, extractors, and heat exchangers.

