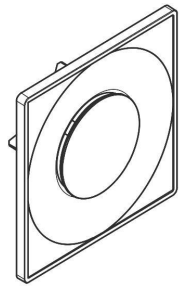


## Elegance Line - Supply and return metal valves



Ventilation valve

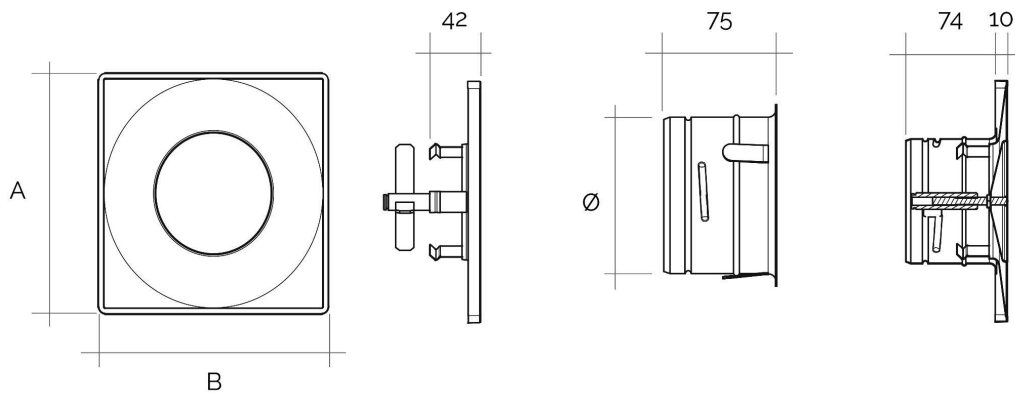
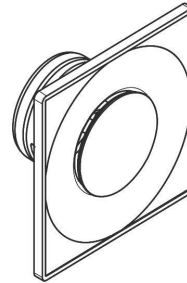
Frame



+



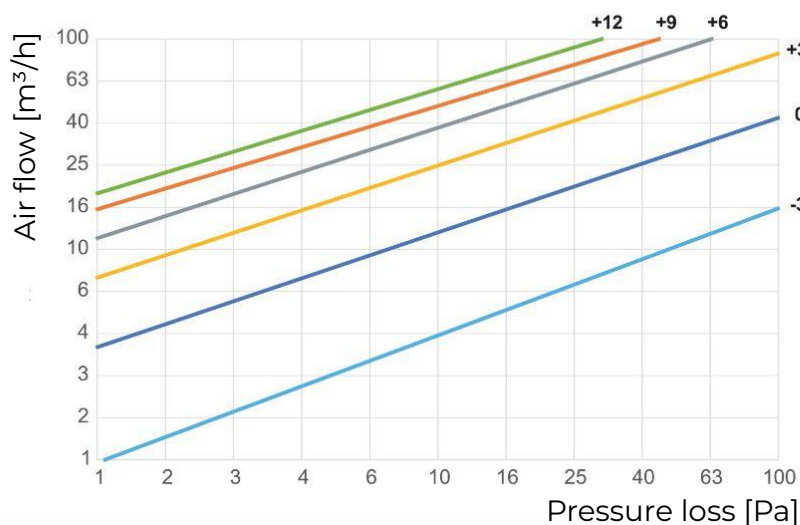
=



Item	Colour	AxB mm	Spigot ø mm
<b>VLQE100B</b>	white	190x190	100
<b>VLQE100N</b>	black	190x190	100

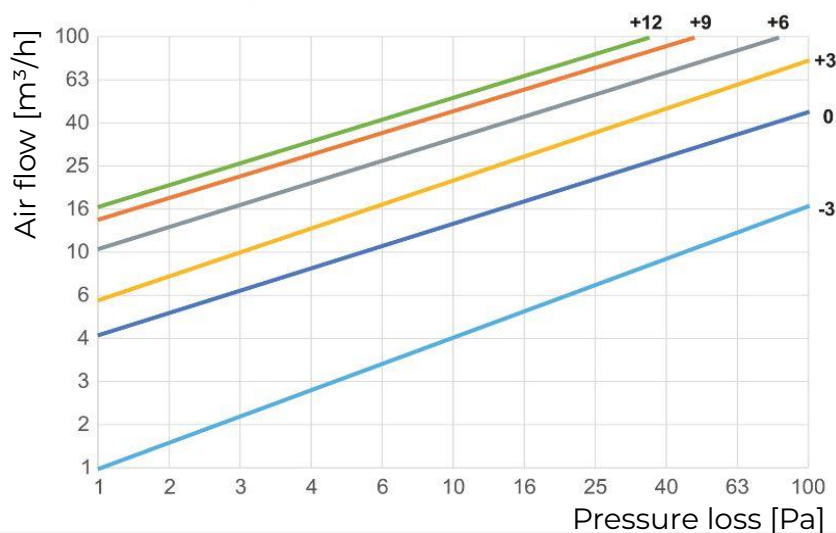
FLOW DETAILS:

VLQE100: Air supply



FLOW DETAILS:

VLQE100: Air return



**Description:** Square adjustable air supply and return valve

**Material:** Metal

**Features:** Square adjustable air supply and return valve, made of powder-coated steel. It is used to extract or introduce air into a ventilation duct on the wall or ceiling.

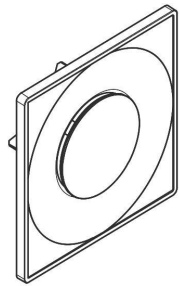


## Elegance Line - Supply and return metal valves



Ventilation valve

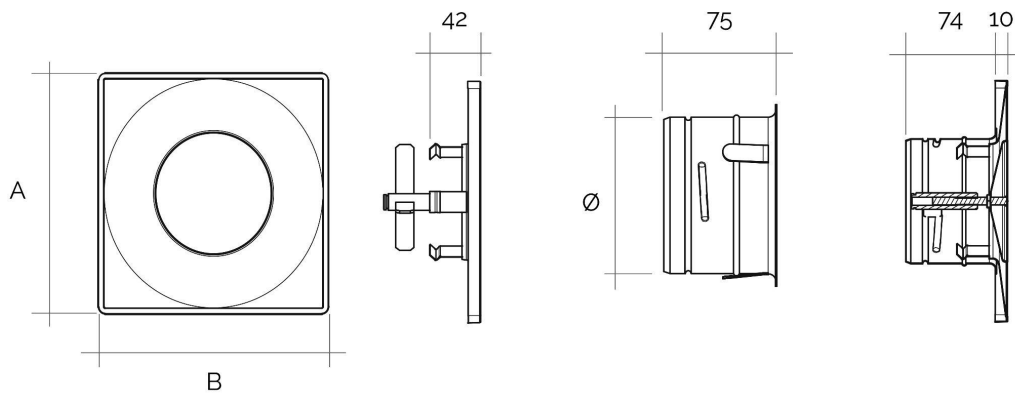
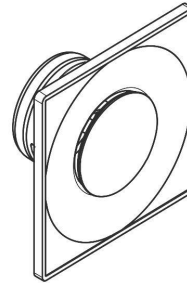
Frame



+



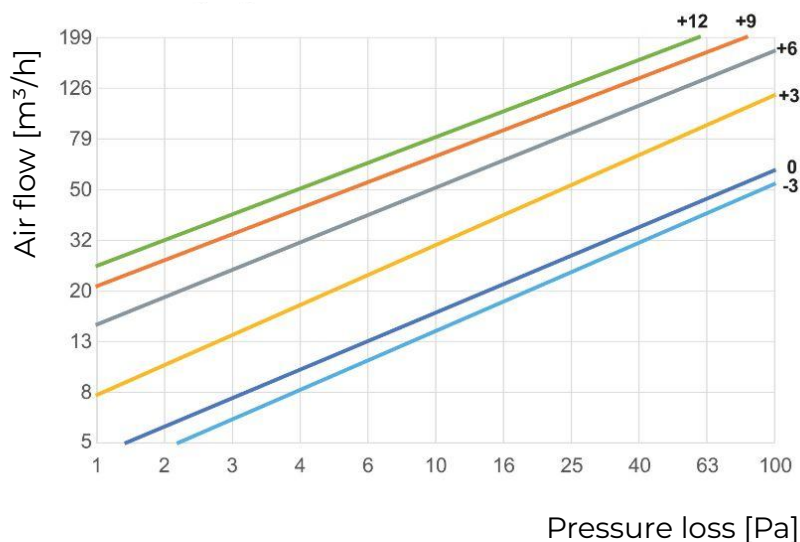
=



Item	Colour	AxB mm	Spigot ø mm
<b>VLQE125B</b>	white	215x215	125
<b>VLQE125N</b>	black	215x215	125

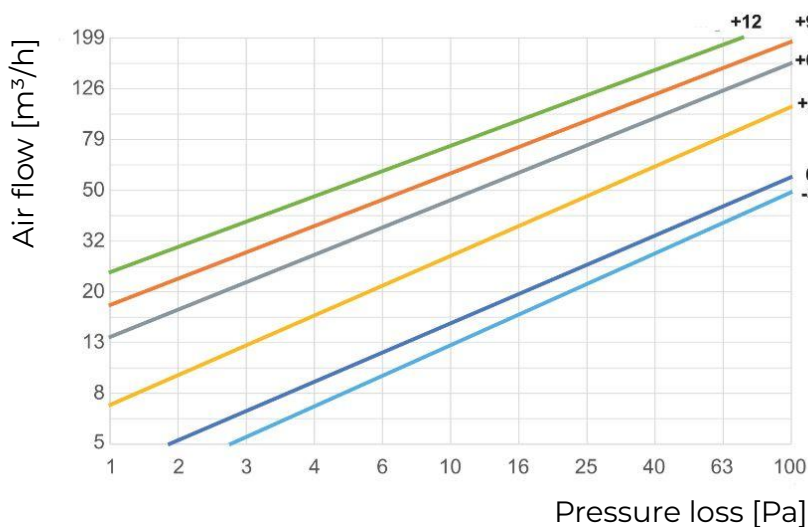
FLOW DETAILS:

VLQE125: Air supply



FLOW DETAILS:

VLQE125: Air return



**Description:** Square adjustable air supply and return valve

**Material:** Metal

**Features:** Square adjustable air supply and return valve, made of powder-coated steel. It is used to extract or introduce air into a ventilation duct on the wall or ceiling.

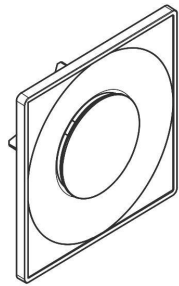


## Elegance Line - Supply and return metal valves

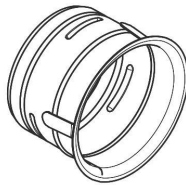


Ventilation valve

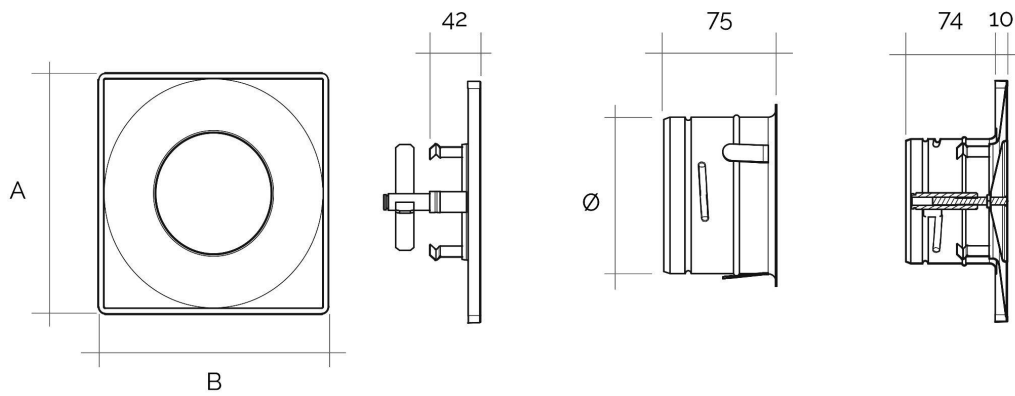
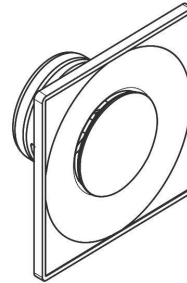
Frame



+



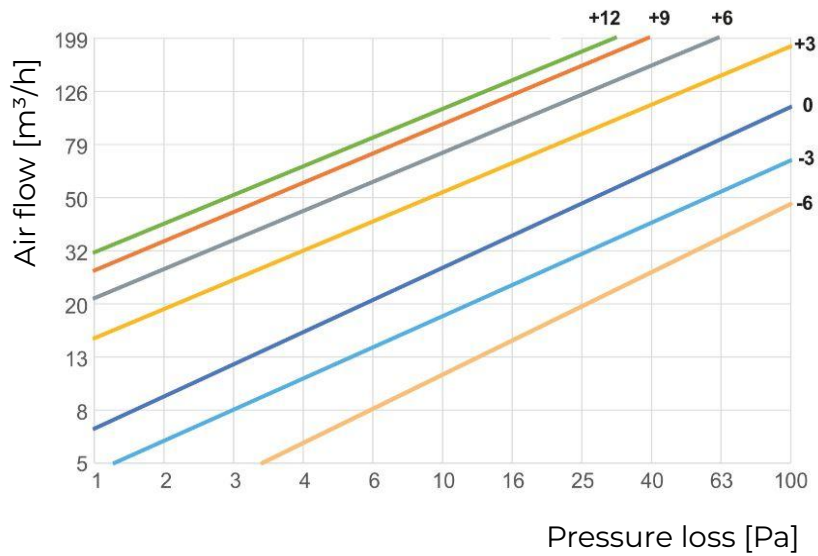
=



Item	Colour	AxB mm	Imb. ø mm
<b>VLQE150B</b>	white	240x240	150
<b>VLQE150N</b>	black	240x240	150

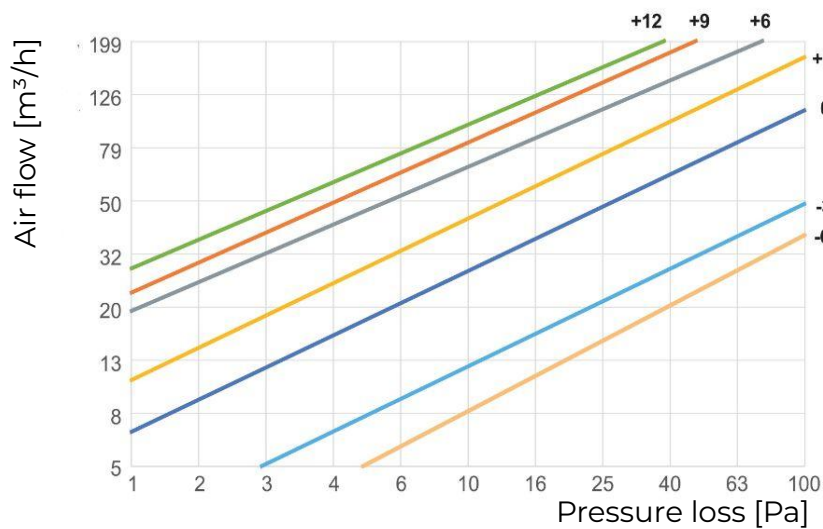
FLOW DETAILS:

VLQE150: Air supply



FLOW DETAILS:

VLQE150: Air return



**Description:**

Square adjustable air supply and return valve

**Material:**

Metal

**Features:**

Square adjustable air supply and return valve, made of powder-coated steel. It is used to extract or introduce air into a ventilation duct on the wall or ceiling.

