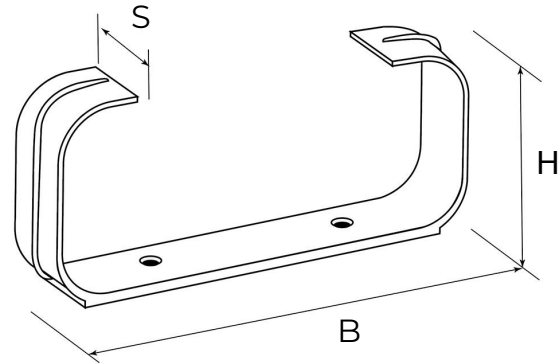


## Steel effect duct system



Item	Colour	BxH mm	S mm	Screws and plugs
<b>STV2126AC</b>	steel	120x60	20	✓
<b>STV2157AC</b>	steel	150x70	22	✓

**Description:** Rectangular pipe holder brackets with screws and plugs

**Material:** ABS plastic

**Features:** The pipe holder brackets are complete with 5x45 cm screws and plugs for fixing. They are part of the ducted ventilation system which allows rapid evacuation of vapors (max 80°C) and unpleasant odors from environments such as the kitchen or bathrooms and a healthy exchange of air.

