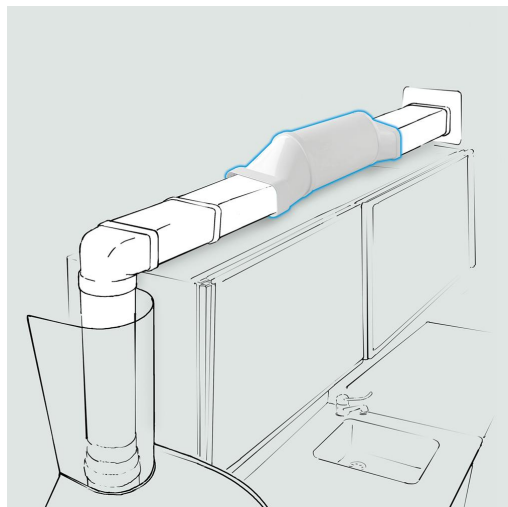
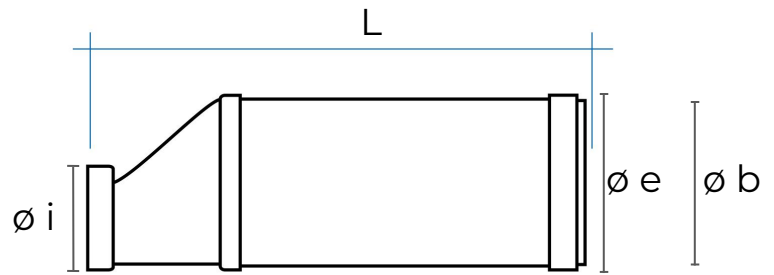


## Duct silencer Kappa



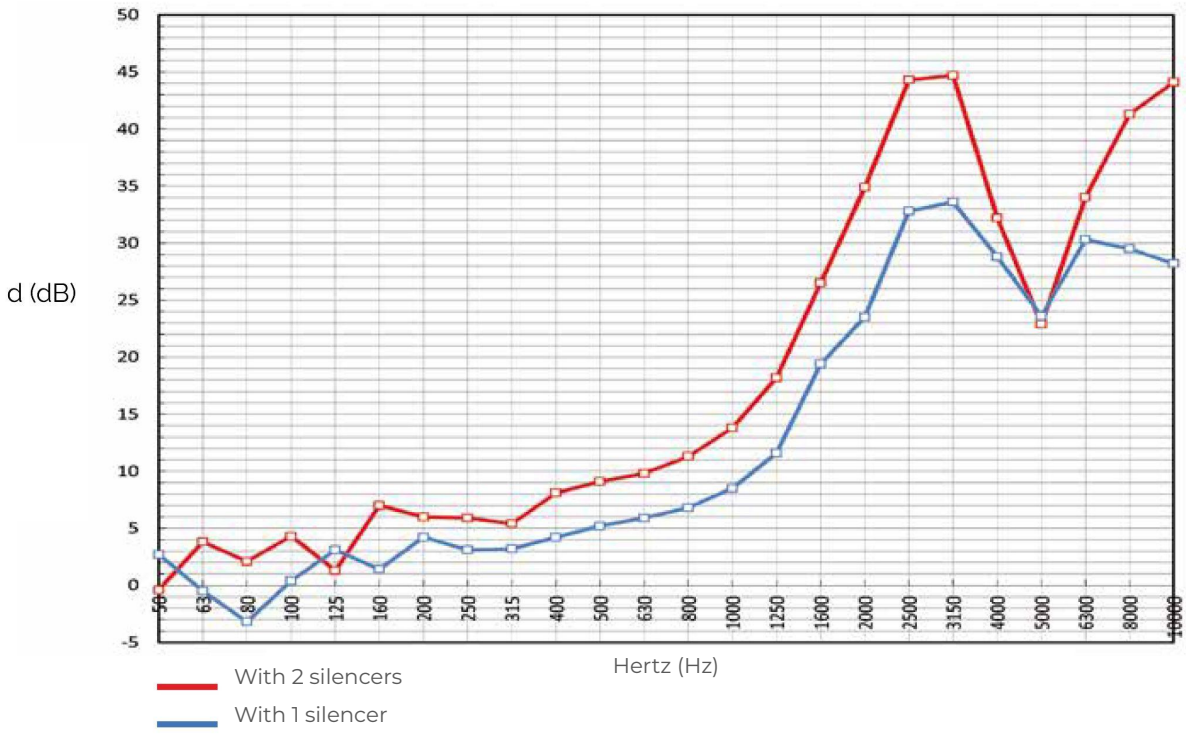
Item	Colour	L mm	ø i mm	ø b mm	ø e mm
<b>STK15229B</b>	white	482	220x90	150	159

**Description:** Pre-assembled acoustic silencer with connection for rectangular ducts

**Material:** ABS plastic

**Features:** The Kappa silencer is a certified product and is being sold assembled with inlets, or you can compose it as you wish based on construction site needs. It is used to prevent external noises from entering the ducting and housing units. It also avoids the spread of annoying reverberation that can be created inside the ducting once the extractor hood extractor is turned on. Suitable for ducts with temperature 80°C max.

## Duct silencer Kappa acoustic certificate



## Duct silencer Kappa - load loss chart

