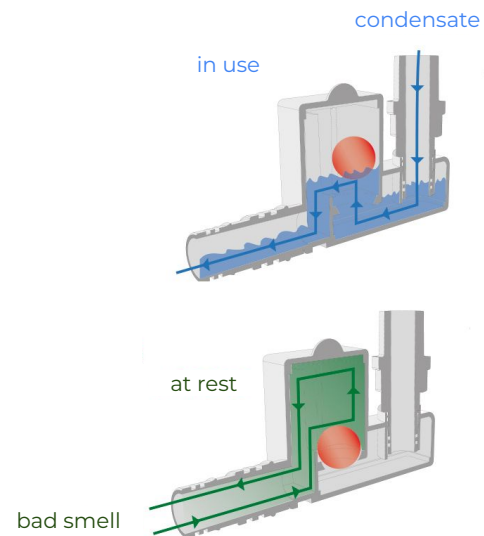
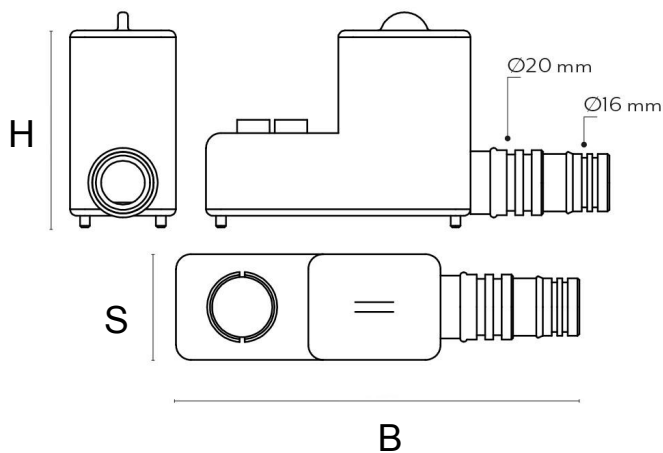


## Traps for condensate drainage



Item	Colour	BxH mm	S mm
<b>SIFM</b>	white	120x60	30

**Description:** Mini inspectable dry siphon for condensate drainage

**Material:** ABS

**Features:** The mini inspectable dry siphon for condensate drainage includes:

- Inlet connection  $\varnothing$  18 mm for flexible pipe
- Horizontal outlet  $\varnothing$  16-18 and  $\varnothing$  18-20 mm
- Bracket plus support with spirit level
- Flow rate 30 l/h

