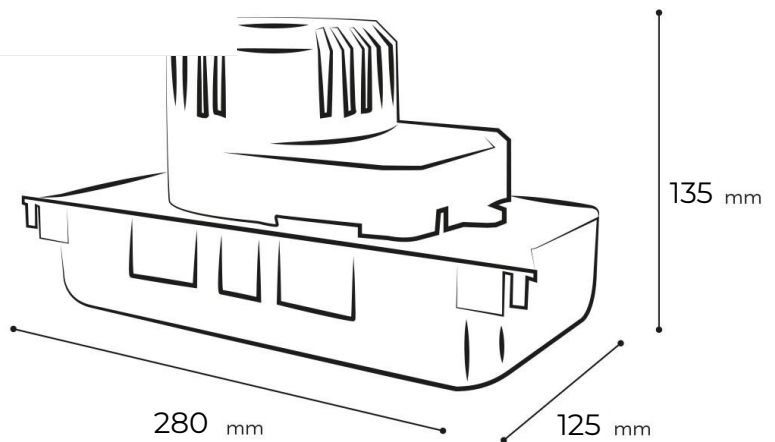


## Condensate lift pumps



Acidic  
condensate

Connection  $\varnothing$  20 mm  
for rigid or flexible pipe



Item	Colour	Noise	Protection rating	Flow rate max
<b>PSCC355</b>	grey	44 dBA	IP20	250 l/h

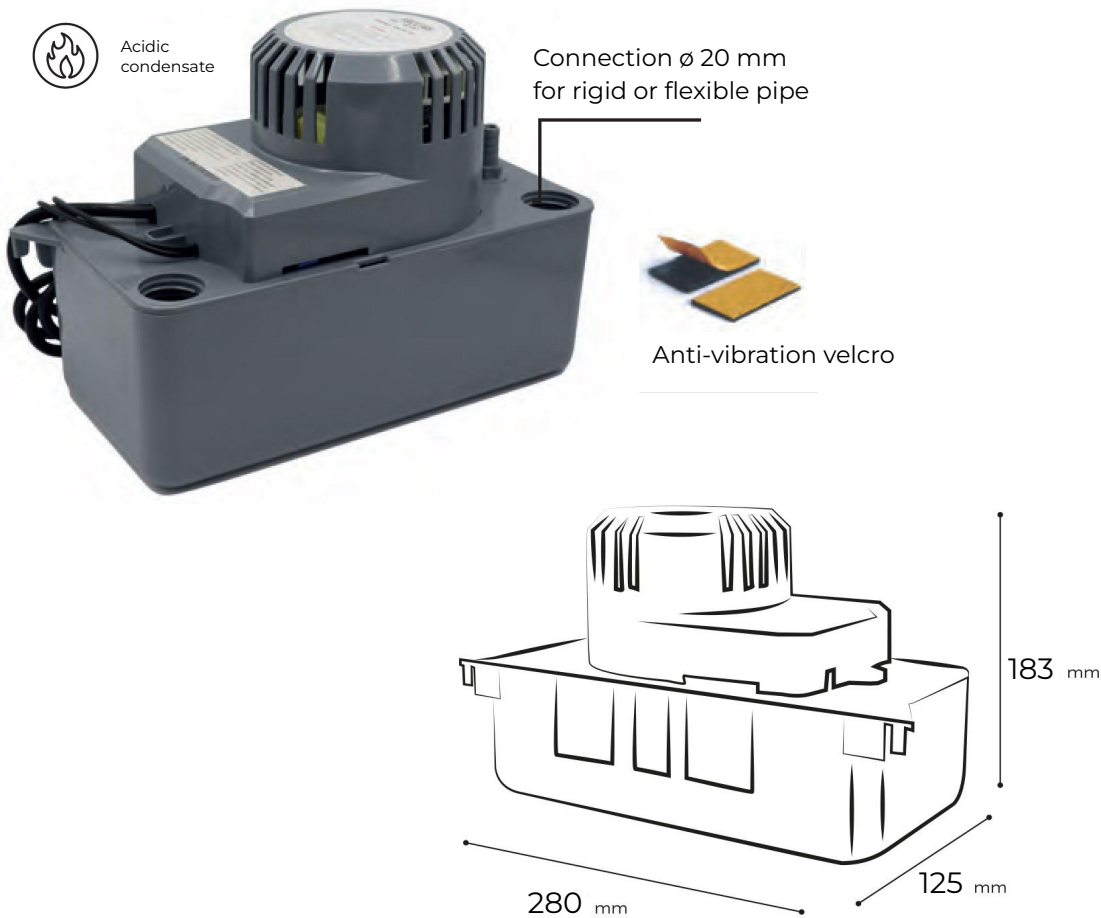
**Description:** Condensing boiler pump

**Features:** The condensing boiler pump has been designed to be able to resist the acid condensate created by the boilers themselves. It can also be installed in air conditioning systems.

- Required power supply 230v - 50Hz
- Max exit height 3 m
- Tank capacity 1 l
- $\varnothing$  pipe exit 10x14 mm "see art. TSCT1014"



## Condensate lift pumps



Item	Colour	Noise	Protection rating	Flow rate max
<b>PSCC365</b>	grey	44 dBA	IP20	260 l/h

**Description:** Condensing boiler pump

**Features:** The condensing boiler pump has been designed to be able to resist the acid condensate created by the boilers themselves. It can also be installed in air conditioning systems.

- Required power supply 230v - 50Hz
- Max exit height 3 m
- Tank capacity 2 l
- ø pipe exit 10x14 mm “see art. TSCT1014”

