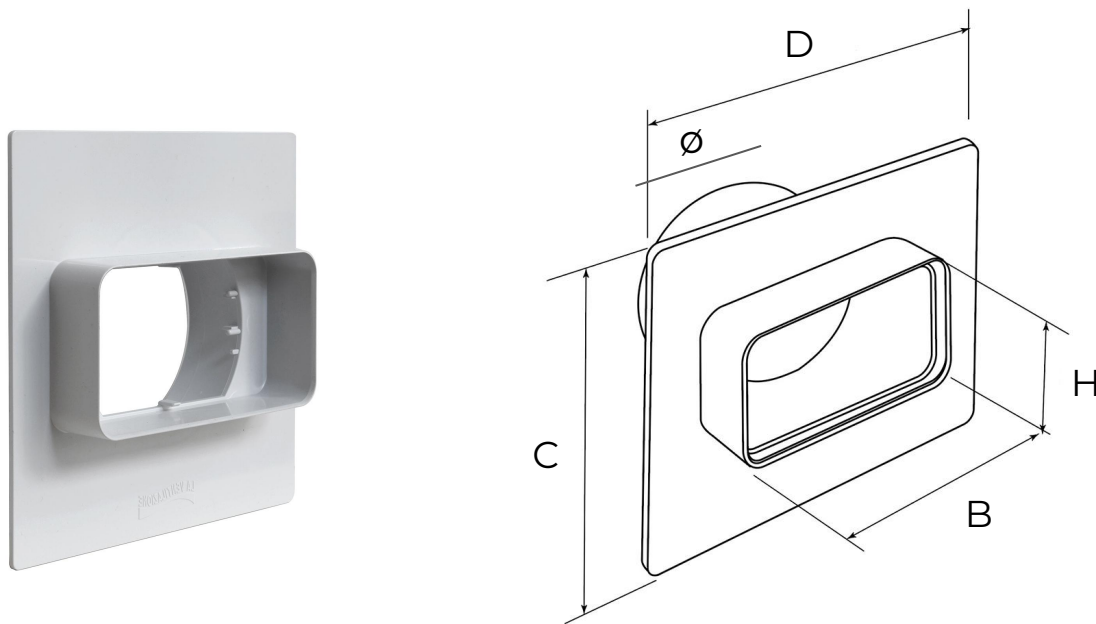


## White duct system



Item	Colour	BxH mm	CxD mm	Ø section mm
<b>PM126B</b>	white	120x60	160x160	100
<b>PM157100B</b>	white	150x70	160x160	100
<b>PM157B</b>	white	150x70	160x160	125

**Description:** Wall plate with round/flat flange connector and gasket

**Material:** ABS

**Features:** The wall connector plate is part of the ducted ventilation system which allows rapid evacuation of vapors (max 80°C) and unpleasant odors from environments such as the kitchen or bathrooms and a healthy exchange of air.

