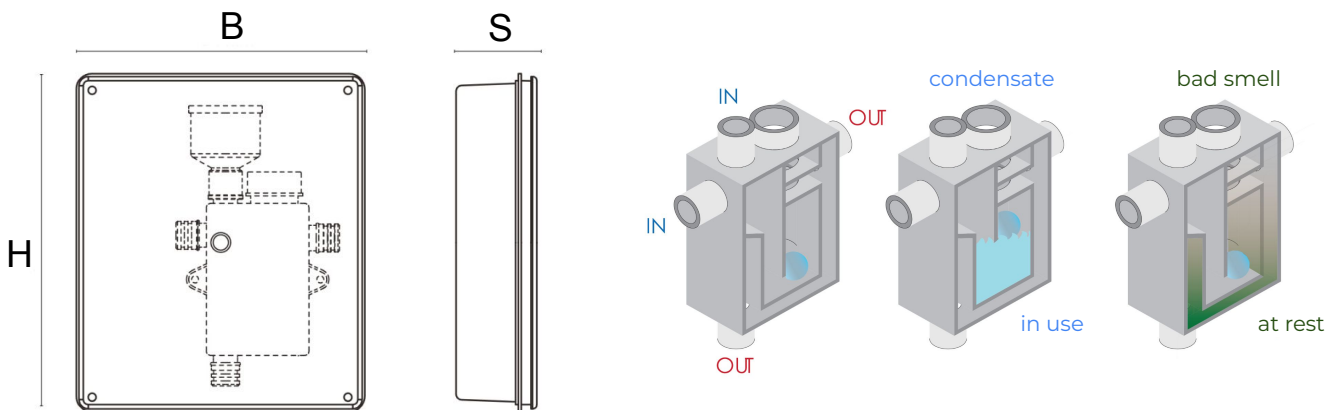


Traps for condensate drainage



Item	Colour	BxH mm	S mm
KSIFS	white	200x235	57

Description: Inspectable dry siphon kit for condensate drainage

Material: ABS

Features: The inspectable dry siphon kit for condensate drainage includes:

- Dry siphon
- Drain \varnothing 20 mm for flexible pipe
- Technical seal
- O-ring seal
- Box with lid and screws
- Flow rate 100 l/h

