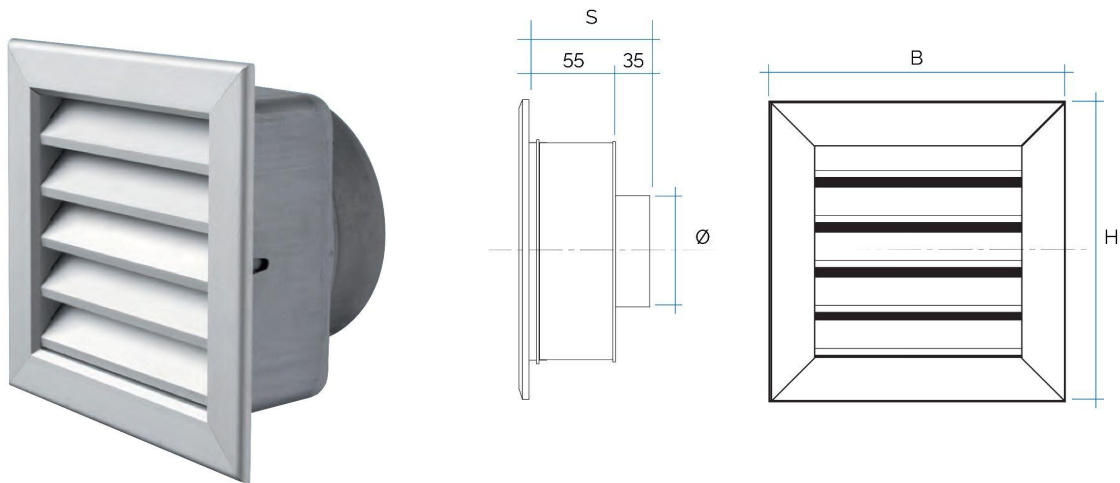


Air return grilles with rain protection flaps



Item	Colour	BxH mm	Hole mm	∅ spigot mm	S mm
GRIAL1413080	aluminium	140x140	111x111	80	90
GRIB1413080	white alu.	140x140	111x111	80	90
GRIAL1413100	aluminium	140x140	111x111	100	90
GRIB1413100	white alu.	140x140	111x111	100	90
GRIAL1615100	aluminium	160x160	133x133	100	90
GRIB1615100	white alu.	160x160	133x133	100	90
GRIAL1615120	aluminium	160x160	133x133	120	90
GRIB1615120	white alu.	160x160	133x133	120	90
GRIAL1813080	aluminium	180x140	153x111	80	90
GRIB1813080	white alu.	180x140	153x111	80	90

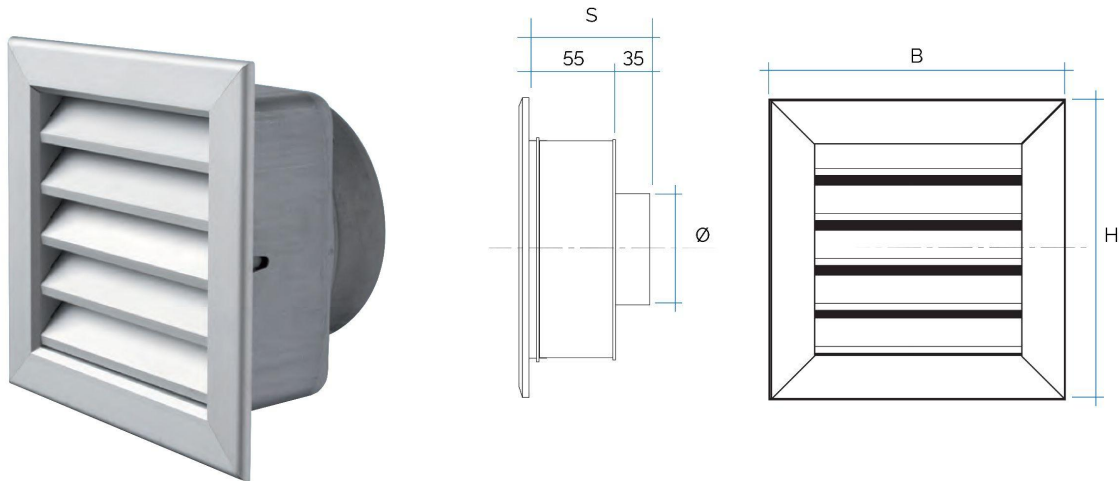
Description: Air return grille with oblique flaps

Material: Metal

Features: Recessed mounting aluminium grille including plenum and insect screen.
It is used for proper fireplace ventilation.



Air return grilles with rain protection flaps



Item	Colour	BxH mm	Hole mm	∅ spigot mm	S mm
GRIAL1813100	aluminium	180x140	153x111	100	90
GRIB1813100	white alu.	180x140	153x111	100	90
GRIAL1818100	aluminium	180x180	153x153	100	90
GRIB1818100	white alu.	180x180	153x153	100	90
GRIAL1818120	aluminium	180x180	153x153	120	90
GRIB1818120	white alu.	180x180	153x153	120	90
GRIAL1818140	aluminium	180x180	153x153	140	90
GRIB1818140	white alu.	180x180	153x153	140	90
GRIAL2020120	aluminium	200x200	183x183	120	90
GRIB2020120	white alu.	200x200	183x183	120	90

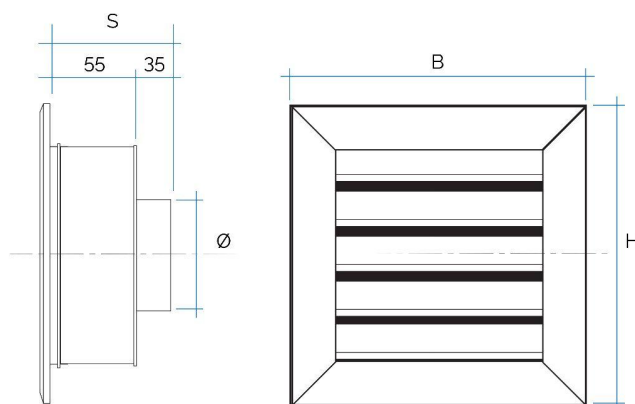
Description: Air return grille with oblique flaps

Material: Metal

Features: Recessed mounting aluminium grille including plenum and insect screen.
It is used for proper fireplace ventilation.



Air return grilles with rain protection flaps



Item	Colour	BxH mm	Hole mm	ø spigot mm	S mm
GRIAL2020140	aluminium	200x200	183x183	140	90
GRIB2020140	white alu.	200x200	183x183	140	90
GRIAL2020150	aluminium	200x200	183x183	150	90
GRIB2020150	white alu.	200x200	183x183	150	90
GRIAL2215100	aluminium	220x160	193x133	100	90
GRIB2215100	white alu.	220x160	193x133	100	90
GRIAL2215120	aluminium	220x160	193x133	120	90
GRIB2215120	white alu.	220x160	193x133	120	90

Description: Air return grille with oblique flaps

Material: Metal

Features: Recessed mounting aluminium grille including plenum and insect screen.
It is used for proper fireplace ventilation.

