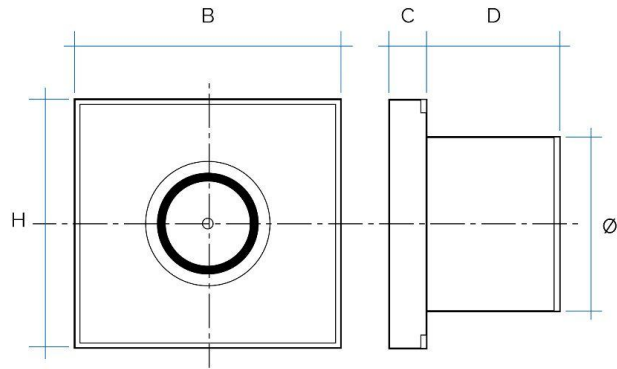


## Helical extractors

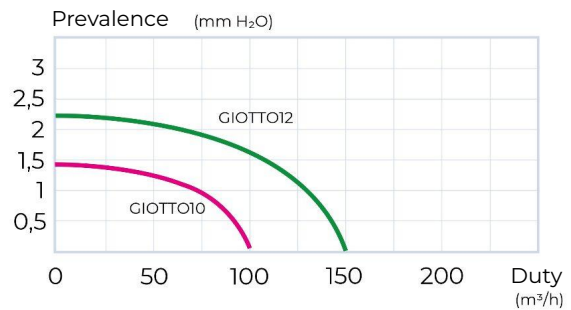


Motor with ball bearings



Backdraft damper

Flow rate curve



Insulation class II

**IPX4**



230 V/  
50HZ

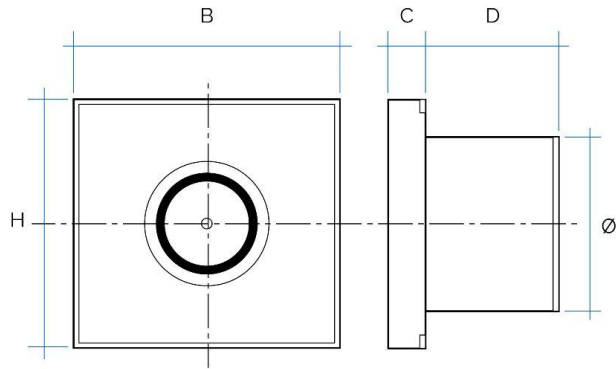
Item	Colour	BxH mm	Ø Hole mm	P watt	Air flow m <sup>3</sup> /h	Noise dB	C mm	D mm	Ø mm
<b>GIOTTO10B</b>	white	150x140	100/4"	15	100	30	22	72	98
<b>GIOTTO12B</b>	white	175x163	120/5"	20	150	33	22	85	118
<b>GIOTTO10A</b>	grey	150x140	100/4"	15	100	30	22	72	98

**Description:** Wall-mounted helical extractor GIOTTO

**Features:** The helical aspirator is a simple and versatile solution to solve the problem of air exchange for a certain type of domestic environment, such as service bathrooms or laundry rooms. Helical extractors are suitable for direct wall outlet or for installations where it is not necessary to flow the air on very long distances through the ducts.



## Helical extractors

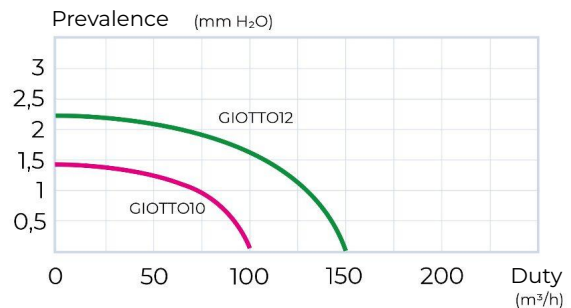


Motor with ball bearings



Backdraft damper

Flow rate curve



Insulation class II

**IPX4**



230 V/  
50HZ

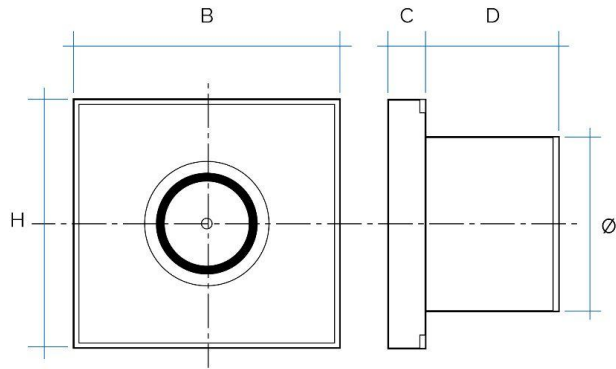
Item	Colour	BxH mm	Ø Hole mm	P watt	Air flow m <sup>3</sup> /h	Noise dB	C mm	D mm	Ø mm
<b>GIOTTO10BT</b>	white	150x140	100/4"	15	100	30	22	72	98
<b>GIOTTO12BT</b>	white	175x163	120/5"	20	150	33	22	85	118
<b>GIOTTO10AT</b>	grey	150x140	100/4"	15	100	30	22	72	98

**Description:** Wall-mounted helical extractor GIOTTO with timer

**Features:** The helical aspirator with adjustable timer from 1' to 25' is a simple and versatile solution to solve the problem of air exchange for a certain type of domestic environment, such as service bathrooms or laundry rooms. Helical extractors are suitable for direct wall outlet or for installations where it is not necessary to flow the air on very long distances through the ducts.



## Helical extractors

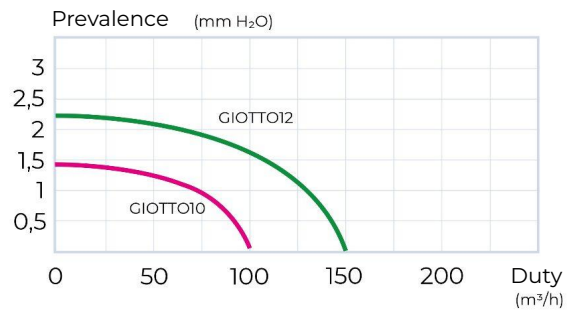


Motor with ball bearings



Backdraft damper

Flow rate curve



Insulation class II

**IPX4**



230 V/  
50HZ

Item	Colour	BxH mm	Ø Hole mm	P watt	Air flow m <sup>3</sup> /h	Noise dB	C mm	D mm	Ø mm
<b>GIOTTO10BTH</b>	white	150x140	100/4"	15	100	30	22	72	98
<b>GIOTTO12BTH</b>	white	175x163	120/5"	20	150	33	22	85	118

### Description:

Wall-mounted helical extractor GIOTTO with timer and hygrometer

### Features:

The helical aspirator with adjustable timer from 1' to 25' and hygrometer (humidity 40-100%) is a simple and versatile solution to solve the problem of air exchange for a certain type of domestic environment, such as service bathrooms or laundry rooms. Helical extractors are suitable for direct wall outlet or for installations where it is not necessary to flow the air on very long distances through the ducts.

