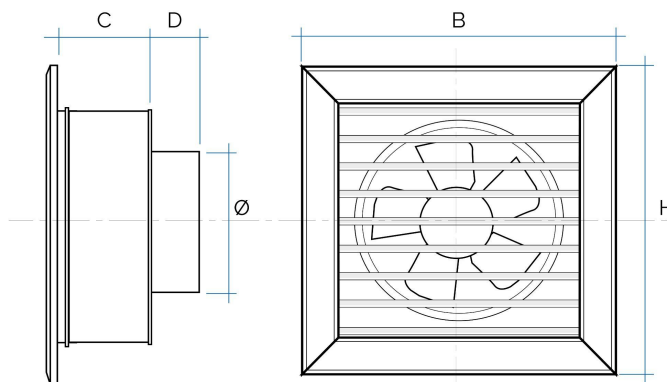


## Warm air aluminium grilles with electric fan



Duty at free discharge / Débit m <sup>3</sup> /h	160
dB (A)	40
Voltage at / Tension d'alimentation à 50 Hz	230V
Power absorbed / Puissance absorbée Watt	19
RPM	2650
Highest temperature in operation Température maximale en fonction	75°C

Item	Colour	BxH mm	Hole mm	Ø spigot mm	C+D mm
<b>GCMIB1615100</b>	white alu.	180x180	133x133	100	90
<b>GCMIB1818120</b>	white alu.	180x180	133x133	120	90
<b>GCMIB1818140</b>	white alu.	180x180	133x133	140	90

**Description:** Warm air aluminium grille with electric fan

**Material:** Metal

**Features:** Aluminum grille with electric fan complete with plenum for round ducts.  
It is used for the forced ventilation of fireplaces.

