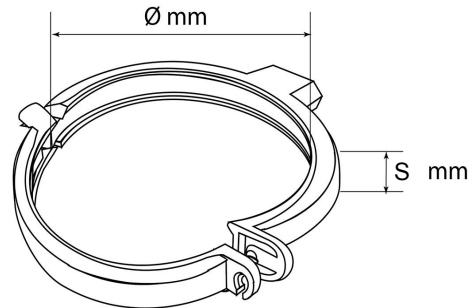


Pipe-clip for pipes and fittings \varnothing 63 **CUPRAELITE**

CUPRAELITE



Description	U/M	Item
		CNM63R
Colour	-	copper effect
Weight	g	16
\varnothing Nominal Diameter	mm	63
Max external Width	mm	88
Max external Depth	mm	81
Height	mm	19
S Thickness	mm	2,5
Screw (self-threading) Length	mm	16
Screw (self-threading) Diameter \varnothing	mm	4
Metal Nut Diameter	-	M6

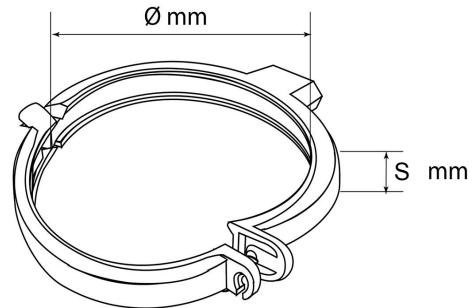
Material: Polypropylene

Features: The clip is composed by two parts jointed and fixed by self-threading screw AF 4x18.
INSTALLATION: place the first clip below the bell, arrange the others along the down pipes approximately every 140 cm and position the last clip at the bottom no more than 80 cm from the ground.



Pipe-clip for pipes and fittings \varnothing 80 **CUPRAELITE**

CUPRAELITE



Description	U/M	Item
		CNM80R
Colour	-	copper effect
Weight	g	36
\varnothing Nominal Diameter	mm	80
Max external Width	mm	104
Max external Depth	mm	99
Height	mm	22
S Thickness	mm	2,7
Screw (self-threading) Length	mm	18
Screw (self-threading) Diameter \varnothing	mm	4
Metal Nut Diameter	-	M6

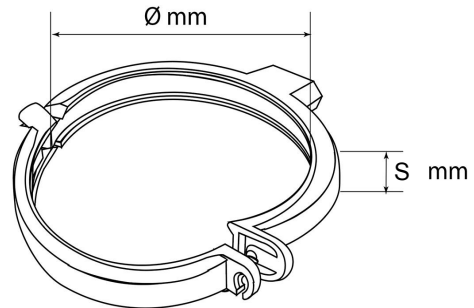
Material: Technopolymers

Features: The clip is composed by two parts jointed and fixed by self-threading screw AF 4x18.
INSTALLATION: place the first clip below the bell, arrange the others along the down pipes approximately every 140 cm and position the last clip at the bottom no more than 80 cm from the ground.



Pipe-clip for pipes and fittings \varnothing 80 **STEEL**

STEEL



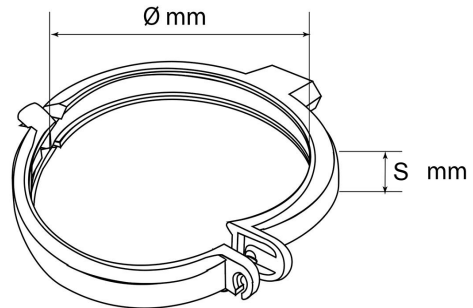
Description	U/M	Item
		CNM80AC
Colour	-	steel effect
Weight	g	36
\varnothing Nominal Diameter	mm	80
Max external Width	mm	104
Max external Depth	mm	99
Height	mm	22
S Thickness	mm	2,7
Screw (self-threading) Length	mm	18
Screw (self-threading) Diameter	mm	4
Metal Nut Diameter	-	M6

Material: Technopolymers

Features: The clip is composed by two parts jointed and fixed by self-threading screw AF 4x18.
INSTALLATION: place the first clip below the bell, arrange the others along the down pipes approximately every 140 cm and position the last clip at the bottom no more than 80 cm from the ground.



Pipe-clip for pipes and fittings \varnothing 80



Description	U/M	Item
		CNM80RA
Colour	-	antique copper effect
Weight	g	36
\varnothing Nominal Diameter	mm	80
Max external Width	mm	104
Max external Depth	mm	99
Height	mm	22
S Thickness	mm	2,7
Screw (self-threading) Length	mm	18
Screw (self-threading) Diameter \varnothing	mm	4
Metal Nut Diameter	-	M6

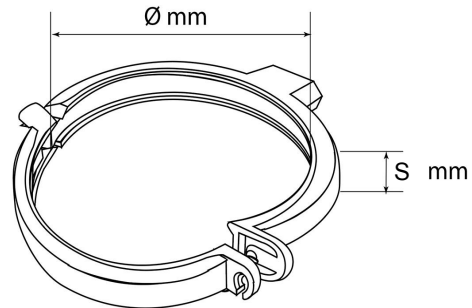
Material: Technopolymers

Features: The clip is composed by two parts jointed and fixed by self-threading screw AF 4x18.
INSTALLATION: place the first clip below the bell, arrange the others along the down pipes approximately every 140 cm and position the last clip at the bottom no more than 80 cm from the ground.



Pipe-clip for pipes and fittings \varnothing 100 **CUPRAELITE**

CUPRAELITE



Description	U/M	Item
		CNM10R
Colour	-	copper effect
Weight	g	46
\varnothing Nominal Diameter	mm	100
Max external Width	mm	124
Max external Depth	mm	119
Height	mm	23
S Thickness	mm	2,7
Screw (self-threading) Length	mm	18
Screw (self-threading) Diameter \varnothing	mm	4
Metal Nut Diameter	-	M6

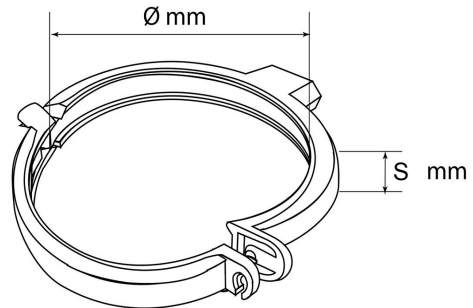
Material: Technopolymers

Features: The clip is composed by two parts jointed and fixed by self-threading screw AF 4x18.
INSTALLATION: place the first clip below the bell, arrange the others along the down pipes approximately every 140 cm and position the last clip at the bottom no more than 80 cm from the ground.



Pipe-clip for pipes and fittings \varnothing 100 **STEEL**

STEEL



Description	U/M	Item
		CNM10AC
Colour	-	steel effect
Weight	g	46
\varnothing Nominal Diameter	mm	100
Max external Width	mm	124
Max external Depth	mm	119
Height	mm	23
S Thickness	mm	2,7
Screw (self-threading) Length	mm	18
Screw (self-threading) Diameter \varnothing	mm	4
Metal Nut Diameter	-	M6

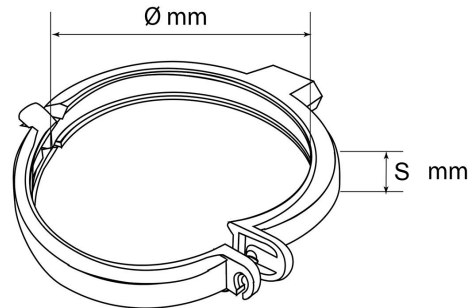
Material: Technopolymers

Features: The clip is composed by two parts jointed and fixed by self-threading screw AF 4x18.
INSTALLATION: place the first clip below the bell, arrange the others along the down pipes approximately every 140 cm and position the last clip at the bottom no more than 80 cm from the ground.



Pipe-clip for pipes and fittings \varnothing 125 **CUPRAELITE**

CUPRAELITE



Description	U/M	Item
		CNM12R
Colour	-	copper effect
Weight	g	36
\varnothing Nominal Diameter	mm	125
Max external Width	mm	148
Max external Depth	mm	146
Height	mm	21,7
S Thickness	mm	2,5
Screw (self-threading) Length	mm	16
Screw (self-threading) Diameter \varnothing	mm	4
Metal Nut Diameter	-	M6

Material: Polypropylene

Features: The clip is composed by two parts jointed and fixed by self-threading screw AF 4x18.
INSTALLATION: place the first clip below the bell, arrange the others along the down pipes approximately every 140 cm and position the last clip at the bottom no more than 80 cm from the ground.

