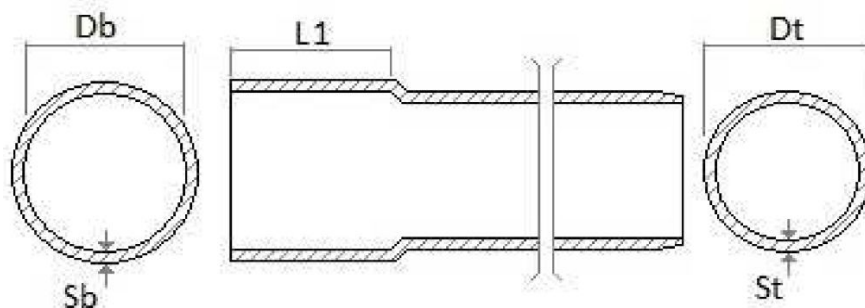


Gutter down pipe \varnothing 100



TDN14



Item	Colour	Length mm	Db mm	Dt mm	Sb mm	St mm	L1 mm	Weight g/m
TDB14	white	4000	100,6	100	1,7	1,7	> 46	840
TDN14	grey	4000	100,6	100	1,7	1,7	> 46	840
TDS14	sand	4000	100,6	100	1,7	1,7	> 46	840

Material: PVC-U

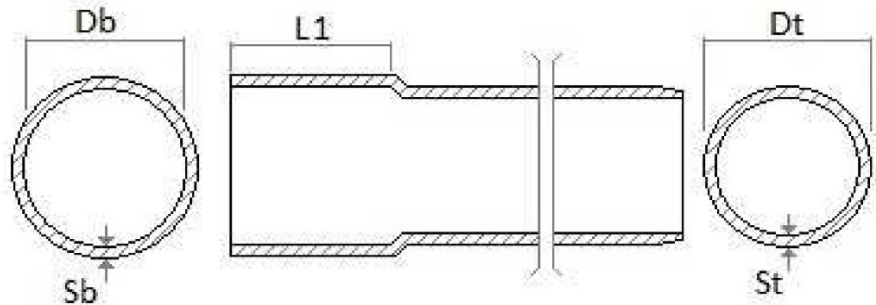
Features: Gutter pipe extruded with a high performance production system.



Gutter down pipe ø 100 **COEX INNOVATION**



COEX[®]
INNOVATION



Item	Colour	Length mm	Db mm	Dt mm	Sb mm	St mm	L1 mm	Weight g/m
TDBC13	white	3000	100,6	100	1,8	1,8	> 46	865
TDM13	brown	3000	100,6	100	1,8	1,8	> 46	865
TDO13	red brown	3000	100,6	100	1,8	1,8	> 46	865

Material: PVC-U + Technopolymers

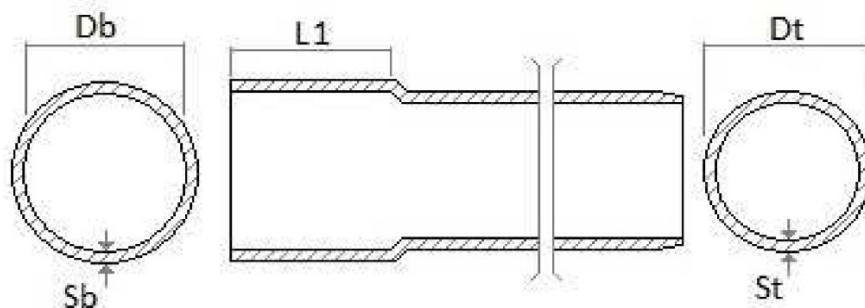
Features: Gutter pipe composed of two co-extruded layers: PVC inside and mix of various polymers outside. This structure gives the external surface a metallic shine, resistance to UV rays and colour retention over time ($\Delta E < 5$ after 5000 hour xenotest exposure).



Gutter down pipe \varnothing 100



TDB13



Item	Colour	Length mm	Db mm	Dt mm	Sb mm	St mm	L1 mm	Weight g/m
TDN13	grey	3000	100,6	100	1,7	1,7	> 46	840
TDS13	sand	3000	100,6	100	1,7	1,7	> 46	840

Material: PVC-U

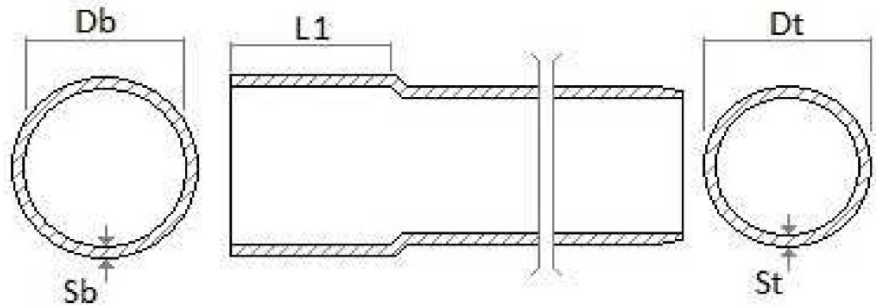
Features: Gutter pipe extruded with a high performance production system.



Gutter down pipe \varnothing 100 **COEX INNOVATION**



COEX[®]
INNOVATION



Item	Colour	Length mm	Db mm	Dt mm	Sb mm	St mm	L1 mm	Weight g/m
TDBC12	white	2000	100,6	100	1,8	1,8	> 46	865
TDM12	brown	2000	100,6	100	1,8	1,8	> 46	865

Material: PVC-U + Technopolymers

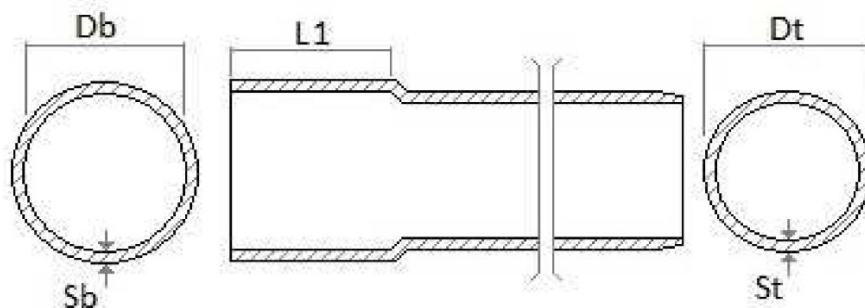
Features: Gutter pipe composed of two co-extruded layers: PVC inside and mix of various polymers outside. This structure gives the external surface a metallic shine, resistance to UV rays and colour retention over time ($\Delta E < 5$ after 5000 hour xenotest exposure).



Gutter down pipe \varnothing 100



TDS12



Item	Colour	Length mm	Db mm	Dt mm	Sb mm	St mm	L1 mm	Weight g/m
TDM12	brown	2000	100,6	100	1,7	1,7	> 46	840
TDN12	grey	2000	100,6	100	1,7	1,7	> 46	840
TDS12	sand	2000	100,6	100	1,7	1,7	> 46	840

Material: PVC-U

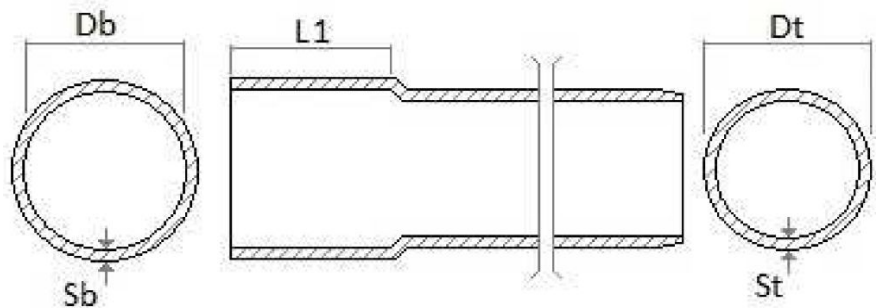
Features: Gutter pipe extruded with a high performance production system.



Gutter down pipe ø 100 **COEX INNOVATION**



COEX[®]
INNOVATION



Item	Colour	Length mm	Db mm	Dt mm	Sb mm	St mm	L1 mm	Weight g/m
TDBC11	white	1000	100,6	100	1,8	1,8	> 46	865
TDM11	brown	1000	100,6	100	1,8	1,8	> 46	865

Material: PVC-U + Technopolymers

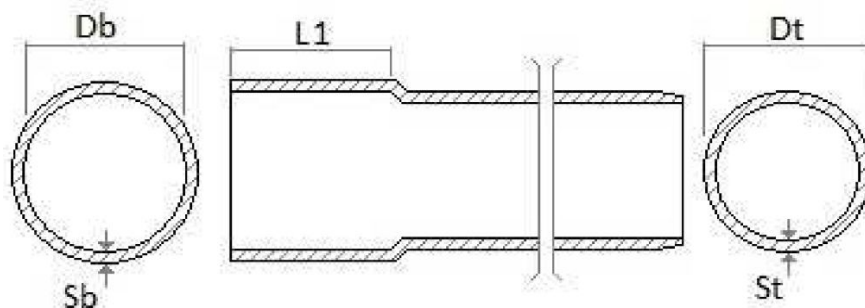
Features: Gutter pipe composed of two co-extruded layers: PVC inside and mix of various polymers outside. This structure gives the external surface a metallic shine, resistance to UV rays and colour retention over time ($\Delta E < 5$ after 5000 hour xenotest exposure).



Gutter down pipe \varnothing 100



TDS11



Item	Colour	Length mm	Db mm	Dt mm	Sb mm	St mm	L1 mm	Weight g/m
TDN11	grey	1000	100,6	100	1,7	1,7	> 46	840
TDS11	sand	1000	100,6	100	1,7	1,7	> 46	840

Material: PVC-U

Features: Gutter pipe extruded with a high performance production system.

