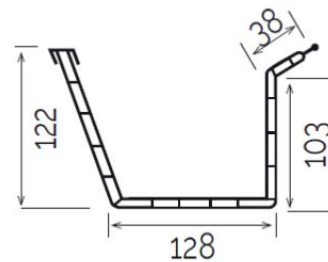
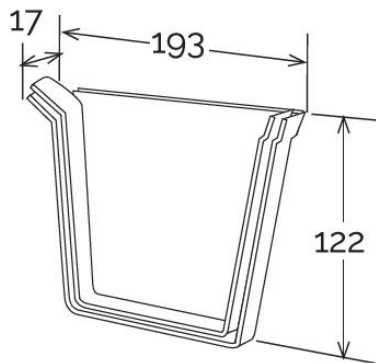


Left stopend for double-walled gutter profile G2 **GROND PLAST**



Section GRG2

Item	Colour	length mm	width mm	height mm	Matched gutter profile
TSG2	brown	193	17	122	GRG240

Material: PVC-U

Features: The stopend must be glued to the gutter by inserting it into the specific socket. Clean the surfaces, then use PVC sealant glue (COFxxx).

