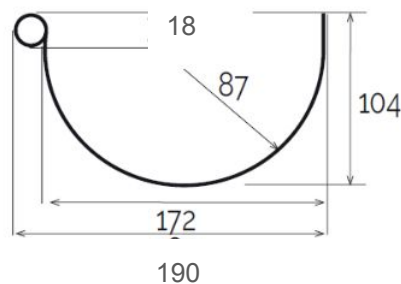
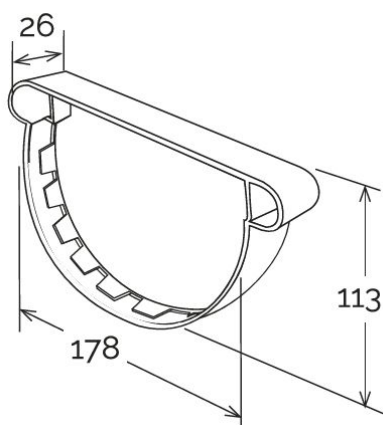


## Stopend for gutter profile $\varnothing$ 133 **CUPRAELITE**

**CUPRAELITE**



Section GRN133

Item	Colour	length mm	width mm	height mm	Weight g	Matched gutter profile
TN133R	copper effect	212	26	113	87	GRN133R

**Material:** Technopolymers

**Features:** The stopend must be glued to the gutter by inserting it into the specific socket. Clean the surfaces, then use PVC sealant glue (COFxxx).

