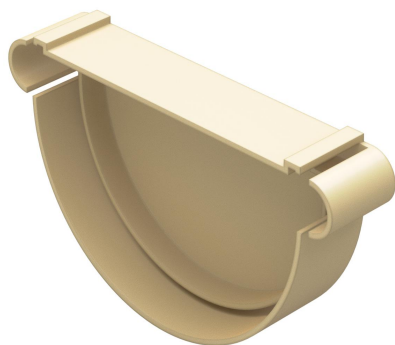
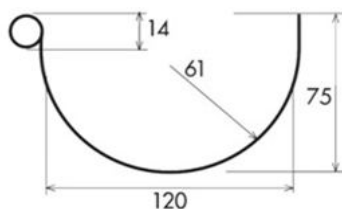
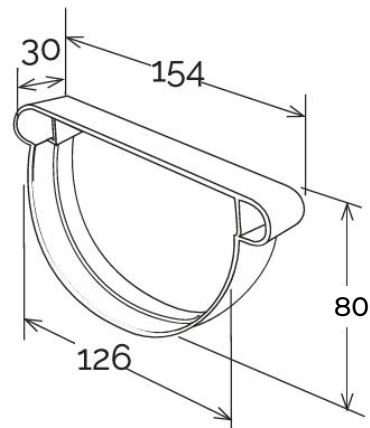


Stopend for gutter profile \varnothing 125



TN125S



Section GRN125

Item	Colour	length mm	width mm	height mm	Weight g	Matched gutter profile
TN125AN	anthracite	154	30	80	62	GRN125AN
TN125B	white	154	30	80	62	GRN125B - GRN125BC
TN125M	brown	154	30	80	62	GRN125M - GRN125MC
TN125N	grey	154	30	80	62	GRN125N
TN125O	red brown	154	30	80	62	GRNO125C
TN125S	sand	154	30	80	62	GRN125S

Material: PVC-U

Features: The stopend must be glued to the gutter by inserting it into the specific socket. Clean the surfaces, then use PVC sealant glue (COFxxx).

