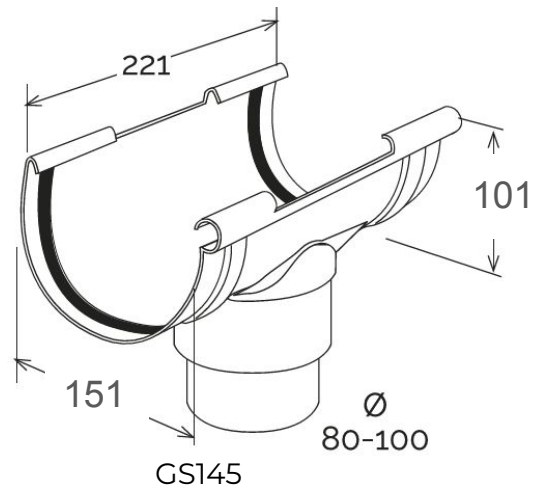
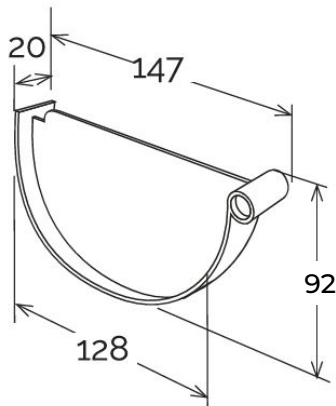


Running outlet stopend for gutter profile $\varnothing 145$



Item	Colour	length mm	width mm	height mm	Weight g	Matched running outlet
TGS145GN	grey	147	20	92	40	GS145GN - GSN145GN
TGS145M	brown	147	20	92	40	GS145M - GSN145M

Material: PVC-U

Features: The stopend must be glued to the running outlet by inserting it into the specific socket.
Clean the surfaces, then use PVC sealant glue (COFxxx).

