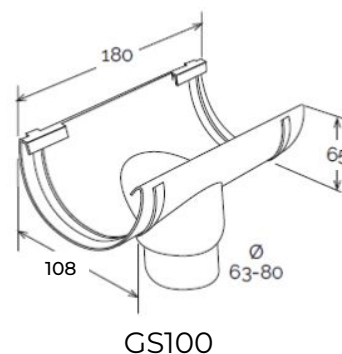
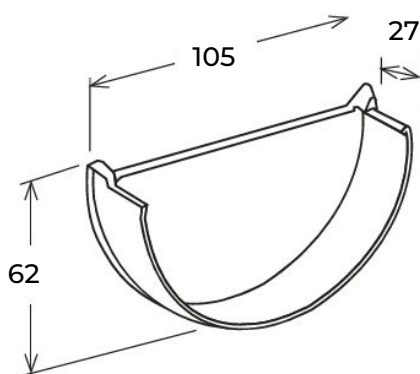
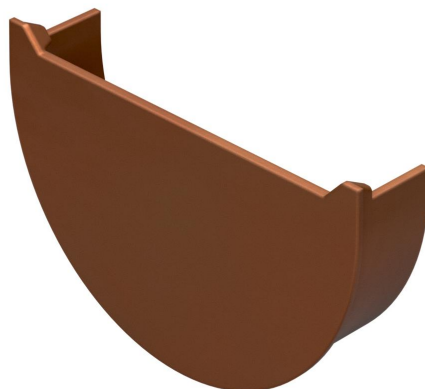


Running outlet stopend for gutter profile \varnothing 100 **CUPRAELITE**

CUPRAELITE



| Item | Colour | length mm | width mm | height mm | Weight g | Matched running outlet |
|---------|---------------|-----------|----------|-----------|----------|------------------------|
| TGS100R | copper effect | 105 | 27 | 62 | 24 | GS100R |

Material: Technopolymers

Features: The stopend must be glued to the outlet by inserting it into the specific sockets. Clean the surfaces, then use PVC sealant glue (COFxxx).

