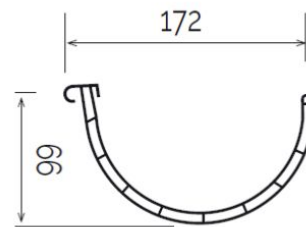
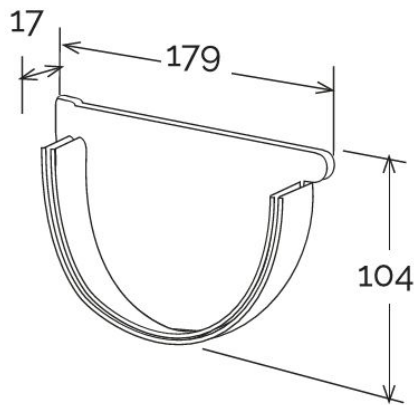


## Right stopend for double-walled gutter profile G86 **GROND PLAST**



Section GRG86

Item	Colour	length mm	width mm	height mm	Matched gutter profile
TDC86	brown	179	17	104	GRG8640

**Material:** PVC-U

**Features:** The stopend must be glued to the gutter by inserting it into the specific socket. Clean the surfaces, then use PVC sealant glue (COFxxx).

