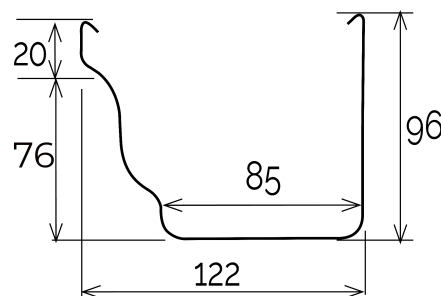
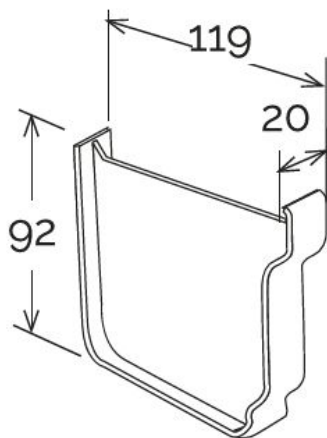
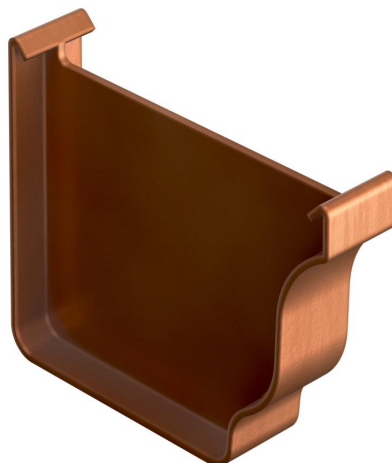


Stopend for gutter profile Best **CUPRAELITE**

BEST
CUPRAELITE



Section GRB120

| Item | Colour | length mm | width mm | height mm | Weight g | Matched gutter profile |
|---------------|---------------|-----------|----------|-----------|----------|------------------------|
| TB120R | copper effect | 119 | 20 | 92 | 40 | GRB120R |

Material: Technopolymers

Features: The stopend must be glued to the gutter by inserting it into the specific socket. Clean the surfaces, then use PVC sealant glue (COFxxx).

