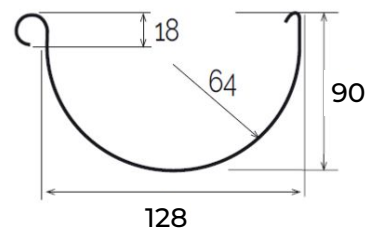
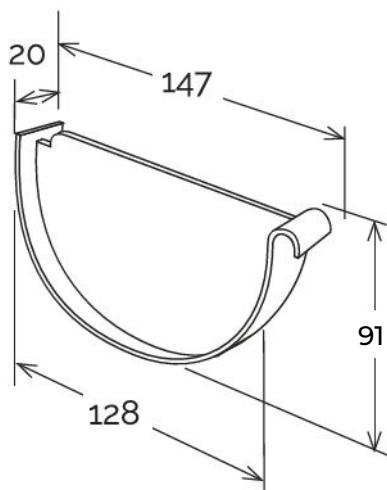
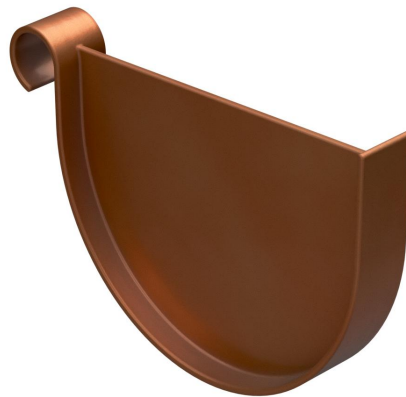


Stopend for gutter profile ø 145 **CUPRAELITE**

CUPRAELITE



Section GR145

Item	Colour	length mm	width mm	height mm	Weight g	Matched gutter profile
T145R	copper effect	147	20	91	32	GR145R3

Material: Technopolymers

Features: The stopend must be glued to the gutter by inserting it at the end of the channel. Clean the surfaces, then use PVC sealant glue (COFxxx).

