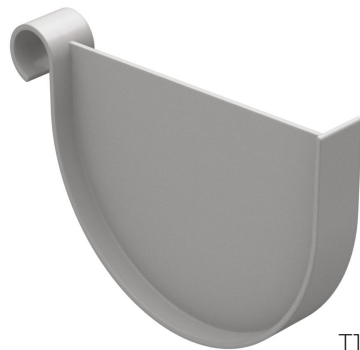
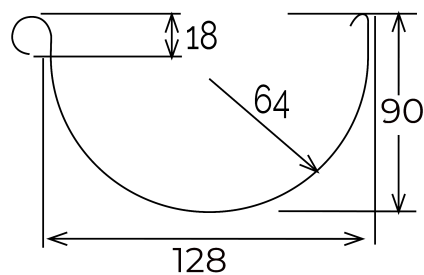
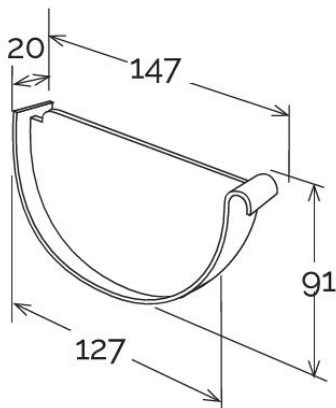


Stopend for gutter profile \varnothing 145



T145GN



Section GR145

Item	Colour	length mm	width mm	height mm	Weight g	Matched gutter profile
T145GN	grey	147	20	91	38	GR145GN
T145M	brown	147	20	91	38	GR145MC

Material: PVC-U

Features: The stopend must be glued to the gutter by inserting it into the specific socket. Clean the surfaces, then use PVC sealant glue (COFxxx).

