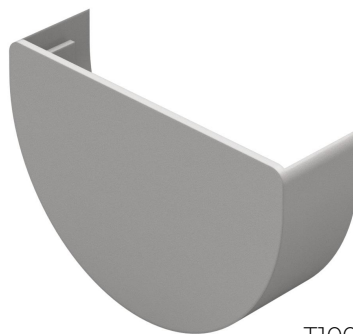
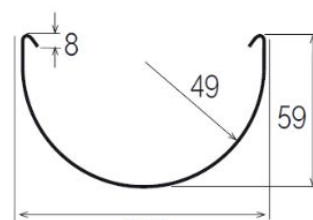
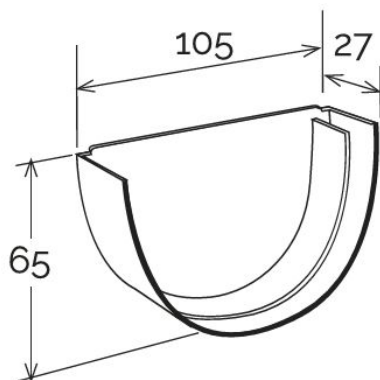


Stopend for gutter profile $\varnothing 100$



T100GN



Section GR100

Item	Colour	length mm	width mm	height mm	Weight g	Matched gutter profile
T100GN	grey	105	27	63	38	GR100GN
T100M	brown	105	27	63	38	GR100MC

Material: PVC-U

Features: The stopend must be glued to the gutter by inserting it into the specific socket. Clean the surfaces, then use PVC sealant glue (COFxxx).

