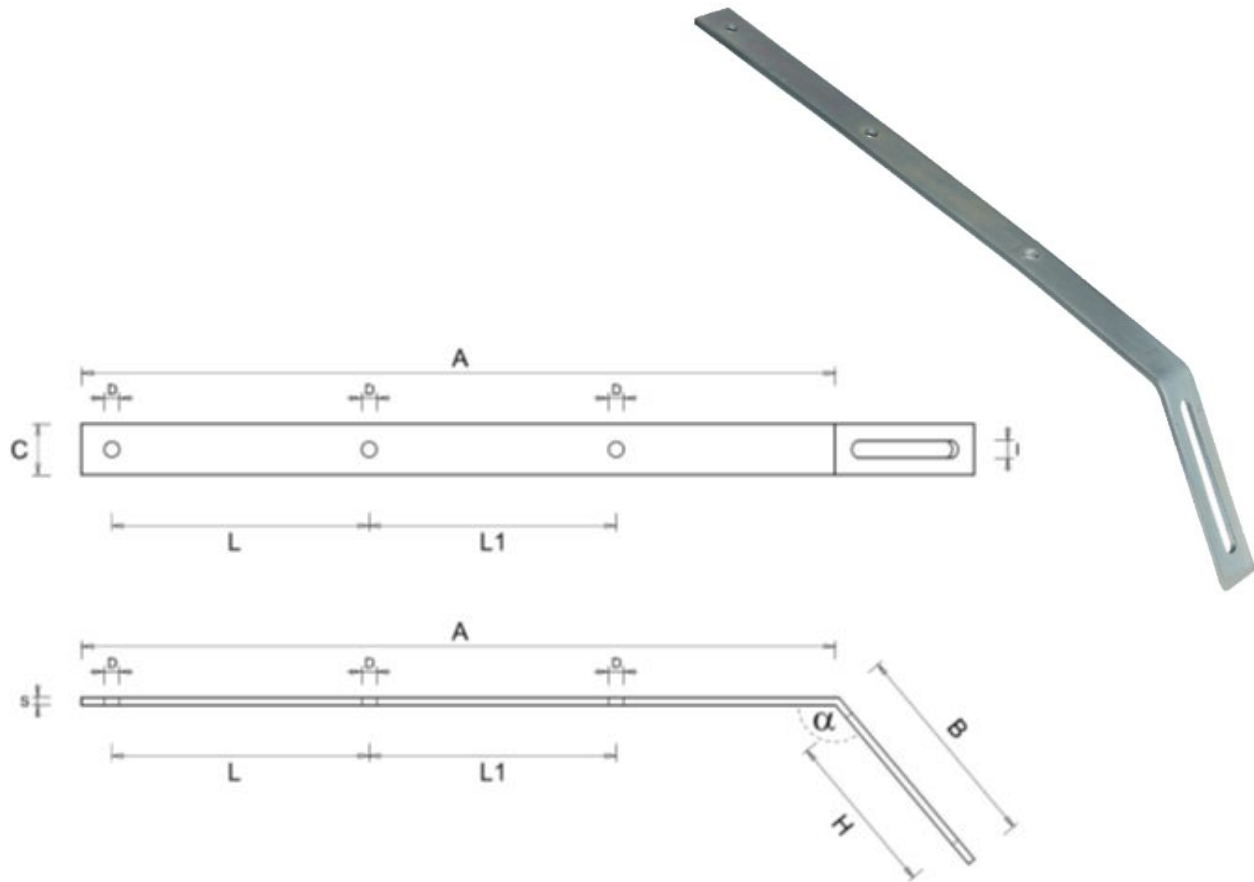


Roof rafter for gutter brackets



Item	Weight g	A mm	B mm	C mm	H mm	I mm	L mm	L1 mm	D ø mm	α angle °	S mm
ST1000	155	296	83	20	65	6,8	101	97	5,7	~ 135	2,9

Material: Galvanized metal

Colour: Metal

Features: The loop allows the assembly of the brackets at different altitudes in order to achieve the desired inclination of the gutter channel.
The roof rafter ST1000 supports all FIRST plastic bracket models with the exception of the CIP116 bracket.

