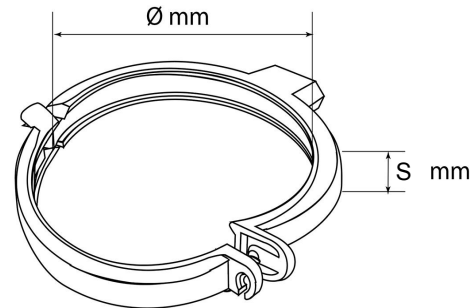


Pipe-clip for pipes and fittings \varnothing 63



CNM63N



Description	U/M	Item	
		CNM63M	CNM63N
Colour	-	brown	grey
Weight	g	16	16
\varnothing Nominal Diameter	mm	63	63
Max external Width	mm	88	88
Max external Depth	mm	81	81
Height	mm	19	19
S Thickness	mm	2,5	2,5
Screw (self-threading) Length	mm	16	16
Screw (self-threading) Diameter \varnothing	mm	4	4
Metal Nut Diameter	-	M6	M6

Material: Polypropylene

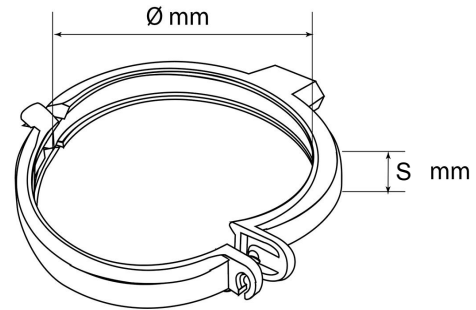
Features: The clip is composed by two parts jointed and fixed by self-threading screw AF 4x16.
INSTALLATION: place the first clip below the bell, arrange the others along the down pipes approximately every 140 cm and position the last clip at the bottom no more than 80 cm from the ground.



Pipe-clip for pipes and fittings \varnothing 80



CNM80S



Description	U/M	Item					
		CNM80N	CNM80S	CNM80M	CNM80B	CNM80AN	CNM80O
Colour	-	grey	sand	brown	white	anthracite	red brown
Weight	g	40	40	36	40	36	36
\varnothing Nominal Diameter	mm	80	80	80	80	80	80
Max external Width	mm	104	104	104	104	104	104
Max external Depth	mm	99	99	99	99	99	99
Height	mm	22	22	22	22	22	22
S Thickness	mm	2,7	2,7	2,7	2,7	2,7	2,7
Screw (self-threading) Length	mm	18	18	18	18	18	18
Screw (self-threading) Diameter \varnothing	mm	4	4	4	4	4	4
Metal Nut Diameter	-	M6	M6	M6	M6	M6	M6

Material: PPVC (CNM80M, CNM80AN, CNM80O in Technopolymer)

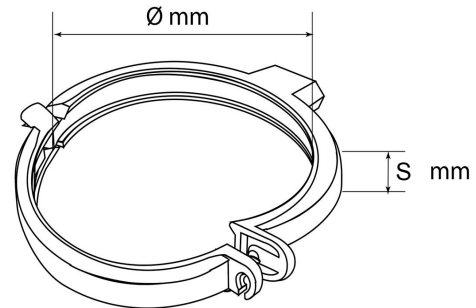
Features: The clip is composed by two parts jointed and fixed by self-threading screw AF 4x16.
INSTALLATION: place the first clip below the bell, arrange the others along the down pipes approximately every 140 cm and position the last clip at the bottom no more than 80 cm from the ground.



Pipe-clip for pipes and fittings \varnothing 100



CNM10S



Description	U/M	Item				
		CNM10N	CNM10S	CNM10M	CNM10B	CNM10O
Colour	-	grey	sand	brown	white	red brown
Weight	g	46	46	46	46	46
\varnothing Nominal Diameter	mm	100	100	100	100	100
Max external Width	mm	124	124	124	124	124
Max external Depth	mm	119	119	119	119	119
Height	mm	23	23	23	23	23
S Thickness	mm	2,7	2,7	2,7	2,7	2,7
Screw (self-threading) Length	mm	18	18	18	18	18
Screw (self-threading) Diameter \varnothing	mm	4	4	4	4	4
Metal Nut Diameter	-	M6	M6	M6	M6	M6

Material: PVC-U
CNM100 in TECHNOPOLYMER

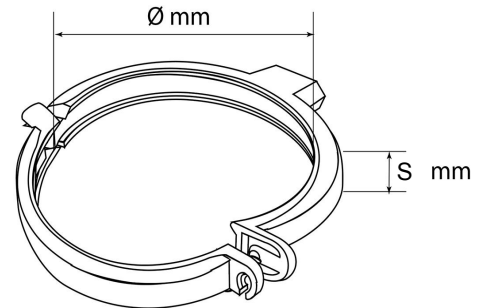
Features: The clip is composed by two parts jointed and fixed by self-threading screw AF 4x16.
INSTALLATION: place the first clip below the bell, arrange the others along the down pipes approximately every 140 cm and position the last clip at the bottom no more than 80 cm from the ground.



Pipe-clip for pipes and fittings \varnothing 125



CNM12M



Description	U/M	Item	
		CNM12M	CNM12N
Colour	-	brown	grey
Weight	g	36	36
\varnothing Nominal Diameter	mm	125	125
Max external Width	mm	148	148
Max external Depth	mm	146	146
Height	mm	21,7	21,7
S Thickness	mm	2,5	2,5
Screw (self-threading) Length	mm	16	16
Screw (self-threading) Diameter \varnothing	mm	4	4
Metal Nut Diameter	-	M6	M6

Material: Polypropylene

Features: The clip is composed by two parts jointed and fixed by self-threading screw AF 4x18.
INSTALLATION: place the first clip below the bell, arrange the others along the down pipes approximately every 140 cm and position the last clip at the bottom no more than 80 cm from the ground.

