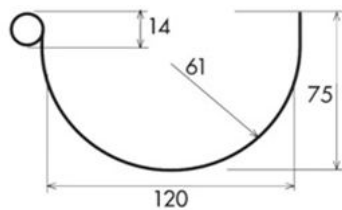
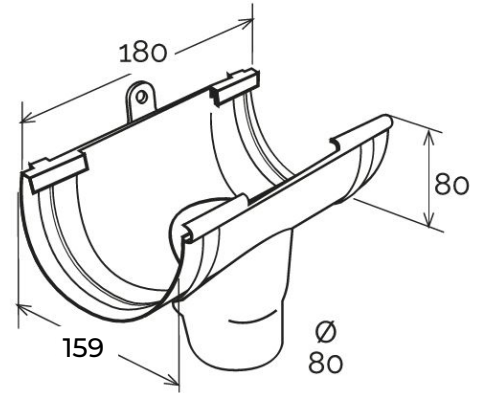


## Aesthetic running outlet BI-SYSTEM for gutter profile $\varnothing$ 125

BI-SYSTEM



GSS125N



Section GRN125

Item	Colour	length mm	width mm	height + bracket mm	Weight g	Matched gutter profile
GSS125AN	anthracite	159	180	156	180	GRN125AN
GSS125B	white	159	180	156	180	GRN125B - GRN125BC
GSS125M	brown	159	180	156	180	GRN125M - GRN125MC
GSS125N	grey	159	180	156	180	GRN125N
GSS125O	red brown	159	180	156	180	GRNO125C
GSS125S	sand	159	180	156	180	GRN125S

**Material:** PVC-U

**Features:**

The BI-SYSTEM joint can be used whether glued or fitted with gasket.

**GLUING:** The joint must be glued to the gutter by inserting it into the specific sockets. Clean the surfaces, then use PVC sealant glue (COFxxx).

**FITTING:** Clean the surfaces, then place the adhesive gasket (GU20) into its specific slot. Insert the gutter into the specific sockets.

