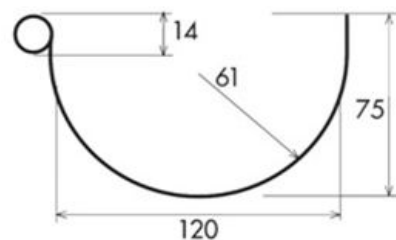
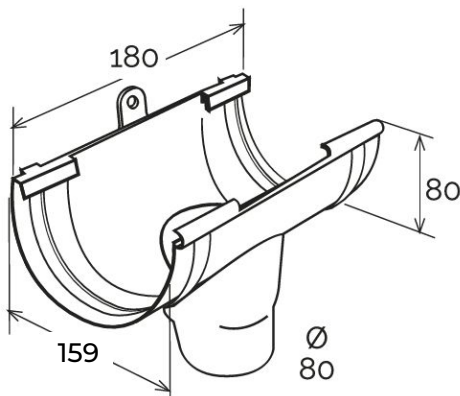


## Aesthetic running outlet BI-SYSTEM for gutter profile ø 125 **STEEL**

BI-SYSTEM

**STEEL**



Section GRN125

| Item     | Colour       | length + bracket mm | width mm | height + bracket mm | Weight g | Matched gutter profile |
|----------|--------------|---------------------|----------|---------------------|----------|------------------------|
| GSS125AC | steel effect | 159                 | 180      | 156                 | 148      | GRN125AC               |

**Material:** Technopolymers

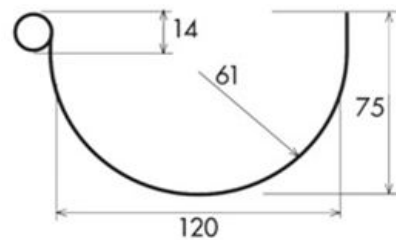
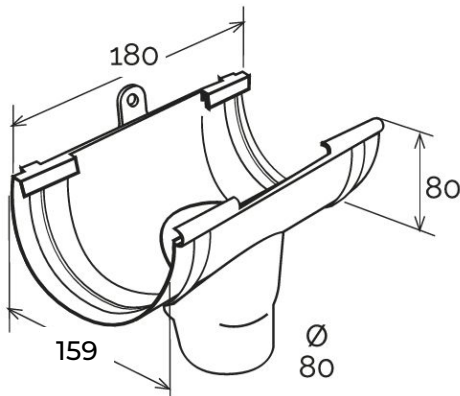
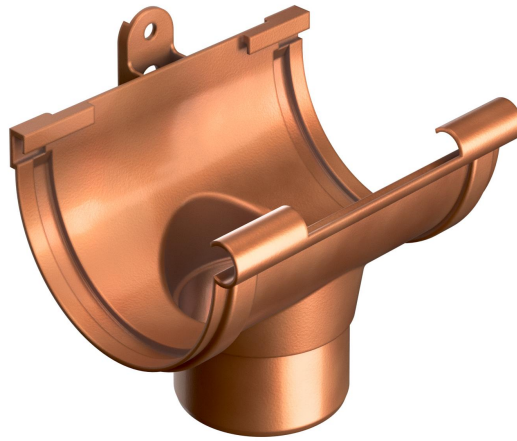
**Features:** The BI-SYSTEM joint can be used whether glued or fitted with gasket.  
**GLUING:** The joint must be glued to the gutter by inserting it into the specific sockets. Clean the surfaces, then use PVC sealant glue (COFxxx).  
**FITTING:** Clean the surfaces, then place the adhesive gasket (GU20) into its specific slot. Insert the gutter into the specific sockets.



## Aesthetic running outlet BI-SYSTEM for gutter profile ø 125 **CUPRAELITE**

**BI-SYSTEM**

**CUPRAELITE**



Section GRN125

| Item    | Colour        | length mm | width mm | height + bracket mm | Weight g | Matched gutter profile |
|---------|---------------|-----------|----------|---------------------|----------|------------------------|
| GSS125R | copper effect | 159       | 180      | 156                 | 148      | GRN125R                |

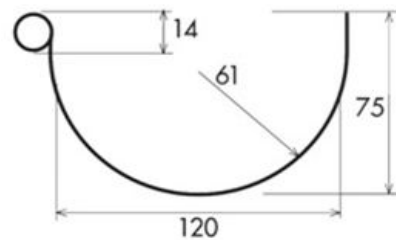
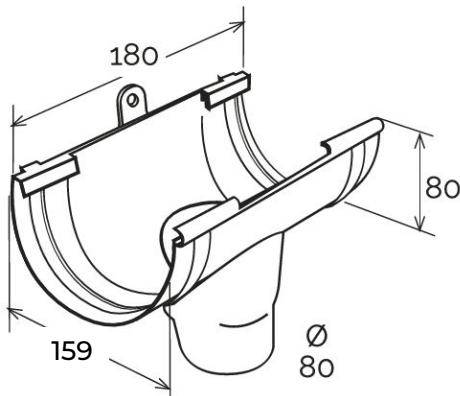
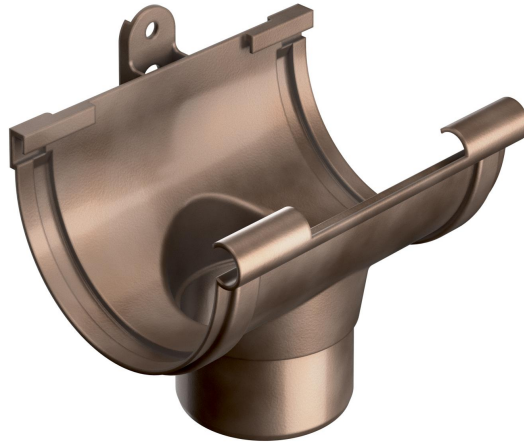
**Material:** Technopolymers

**Features:** The BI-SYSTEM joint can be used whether glued or fitted with gasket.  
**GLUING:** The joint must be glued to the gutter by inserting it into the specific sockets. Clean the surfaces, then use PVC sealant glue (COFxxx).  
**FITTING:** Clean the surfaces, then place the adhesive gasket (GU20) into its specific slot. Insert the gutter into the specific sockets.



## Aesthetic running outlet BI-SYSTEM for gutter profile $\varnothing$ 125

BI•SYSTEM



Section GRN125

| Item     | Colour                | length mm | width mm | height + bracket mm | Weight g | Matched gutter profile |
|----------|-----------------------|-----------|----------|---------------------|----------|------------------------|
| GSS125RA | antique copper effect | 159       | 180      | 156                 | 148      | GRN125RA               |

**Material:** Technopolymers

**Features:**

The BI-SYSTEM joint can be used whether glued or fitted with gasket.  
**GLUING:** The joint must be glued to the gutter by inserting it into the specific sockets. Clean the surfaces, then use PVC sealant glue (COFxxx).  
**FITTING:** Clean the surfaces, then place the adhesive gasket (GU20) into its specific slot. Insert the gutter into the specific sockets.

