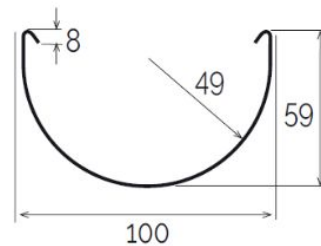
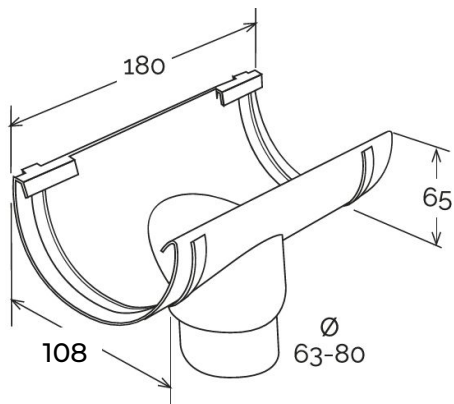
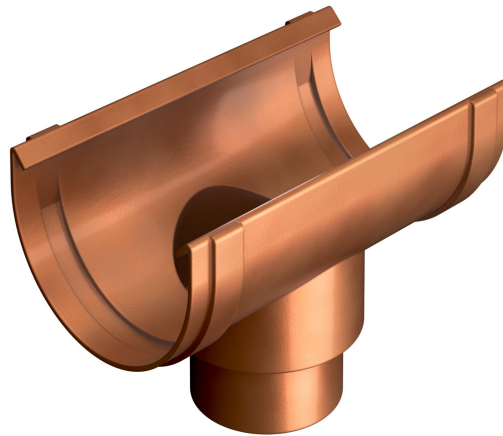


Running outlet BI-SYSTEM for gutter profile \varnothing 100 **CUPRAELITE**

BI-SYSTEM

CUPRAELITE



Section GR100

Item	Colour	length mm	width mm	height mm	Weight g	Matched gutter profile
GS100R	copper effect	108	180	123	125	GR100R2

Material: Technopolymers

Features:

The BI-SYSTEM joint can be used whether glued or fitted with gasket.
GLUING: The joint must be glued to the gutter by inserting it into the specific sockets. Clean the surfaces, then use PVC sealant glue (COFxxx).
FITTING: Clean the surfaces, then place the adhesive gasket (GU14) into its specific slot. Insert the gutter into the specific sockets.

