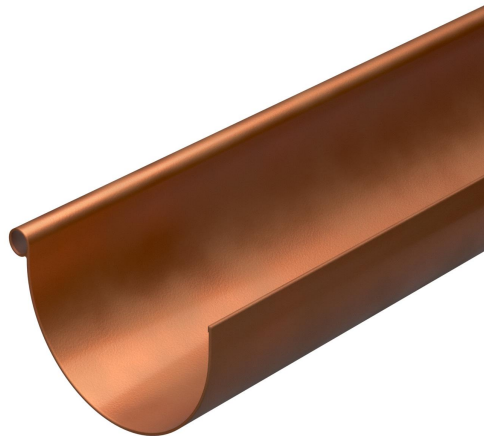
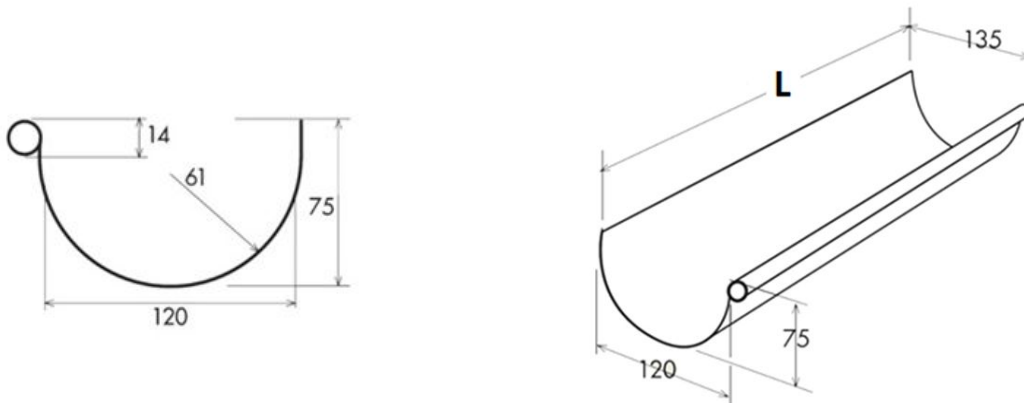


Gutter profile ø 125 CUPRAELITE



CUPRAELITE



Item	Colour	L mm	Gutter section area cm ²	Max water flow rate l/s
GRN125R	copper effect	4000	55,6	1,19
GRN125R3	copper effect	3000	55,6	1,19
GRN125R2	copper effect	2000	55,6	1,19

Material: PVC-U + Technopolymers

Features: Gutter composed of two co-extruded layers: PVC inside and mix of various polymers outside. This structure gives the external surface a metallic shine, resistance to UV rays and colour retention over time ($\Delta E < 5$ after 5000 hour xenotest exposure).

