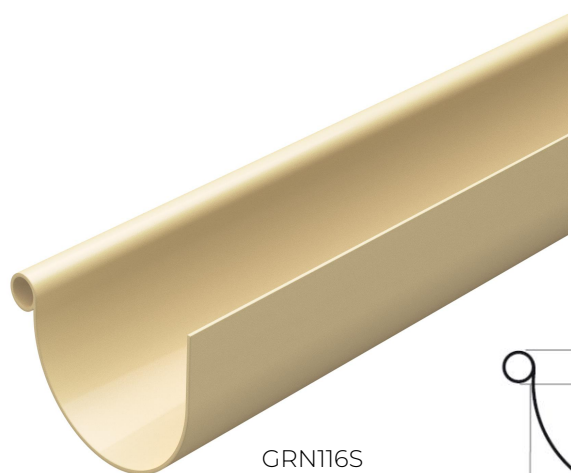
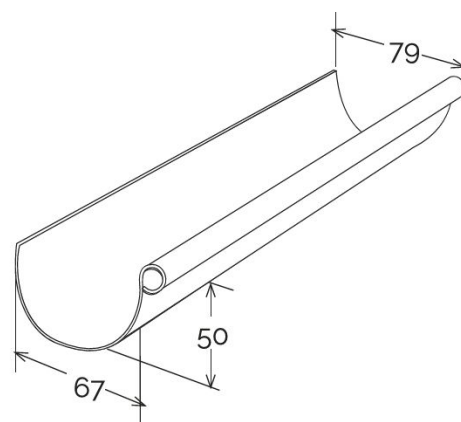
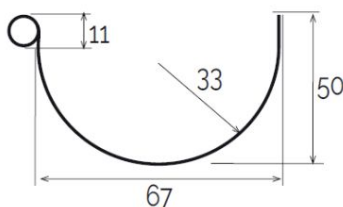


Gutter profile 116



GRN116S



Item	Colour	Length mm	Gutter section area cm ²	Max water flow rate l/s	Compliance IIP UNI EN 607:2005
GRN116B	white	4000	20,6	0,33	✓
GRN116M	brown	4000	20,6	0,33	✓
GRN116M2	brown	2000	20,6	0,33	✓
GRN116N	grey	4000	20,6	0,33	✓
GRN116N2	grey	2000	20,6	0,33	✓
GRN116S	sand	4000	20,6	0,33	✓
GRN116S2	sand	2000	20,6	0,33	✓

Material: PVC-U

Features: Gutter extruded with a high performance production system with EN607:2023 and IIP UNI EN 607:2023 certified

