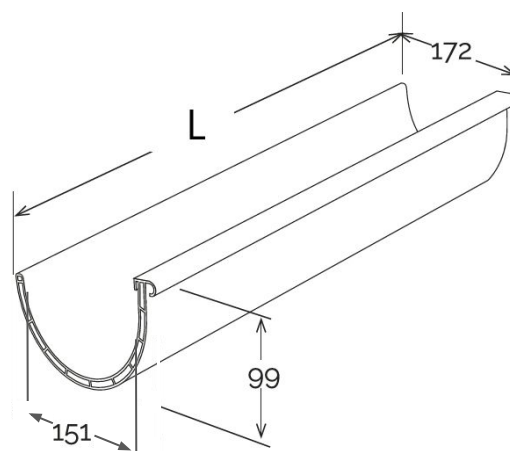
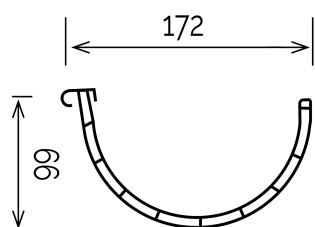
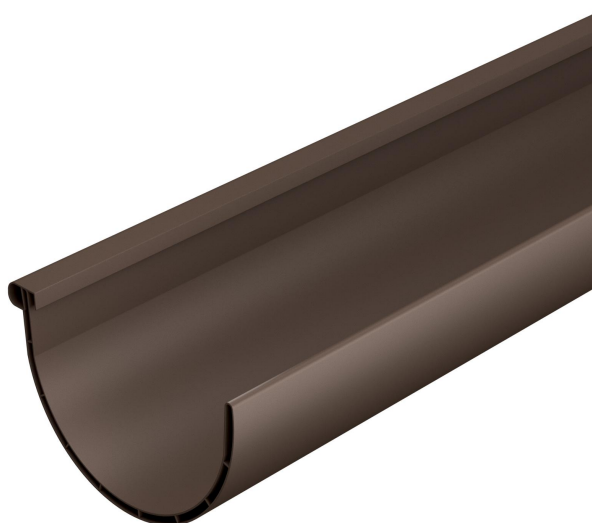


Double-walled gutter profile G86 **GROND PLAST**



Item	Colour	L mm	Gutter section area cm ²	Max water flow rate l/s
GRG8640	brown	4000	100,3	2,51

Material: PVC-U

Features: Double-walled gutter with high structural resistance.

