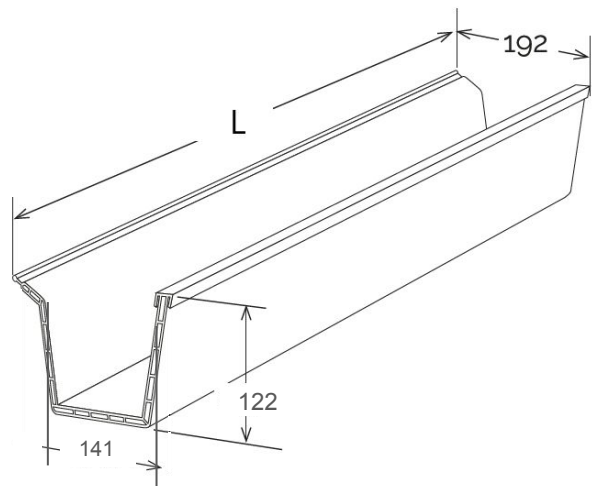
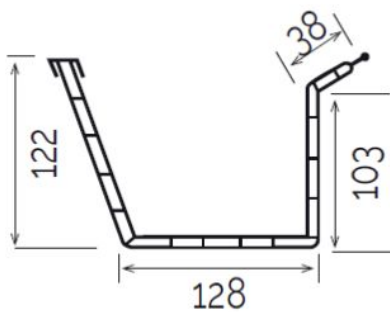



## Double-walled gutter profile G2 **GROND PLAST**



Item	Colour	L mm	Gutter section area cm <sup>2</sup>	Max water flow rate l/s
<b>GRG240</b>		4000	128,2	4,27

**Material:** PVC-U

**Features:** Double-walled gutter with high structural resistance.

