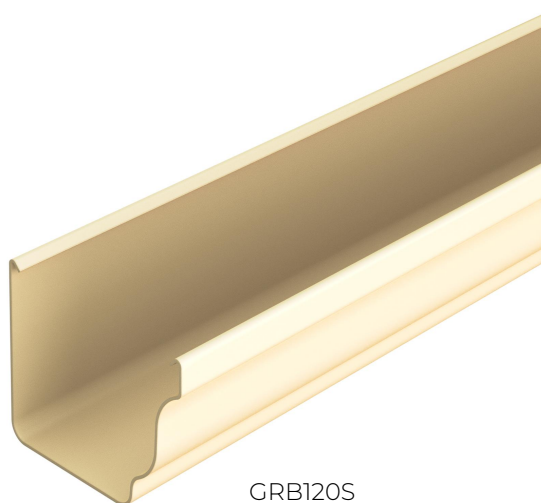
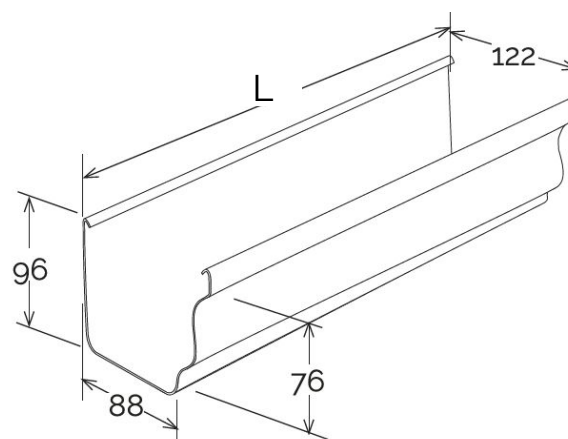
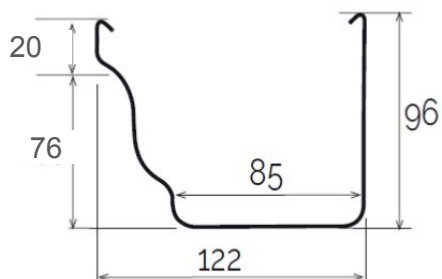


Gutter profile Best

BEST



GRB120S



Item	Colour	L mm	Gutter section area cm ²	Max water flow rate l/s
GRB120S	sand	4000	93,2	2,6
GRB120B	white	4000	93,2	2,6
GRB120B2	white	2000	93,2	2,6

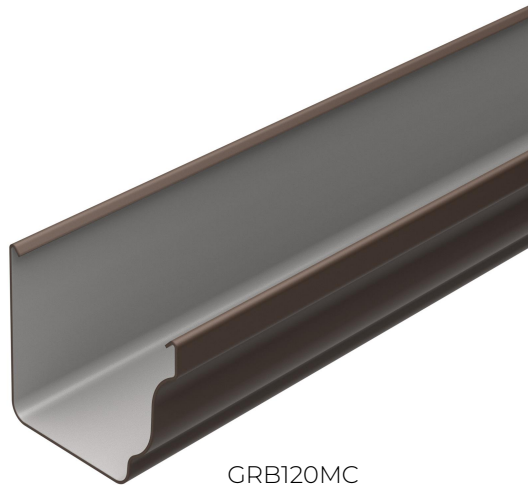
Material: PVC-U

Features: Gutter extruded with a high performance production system.

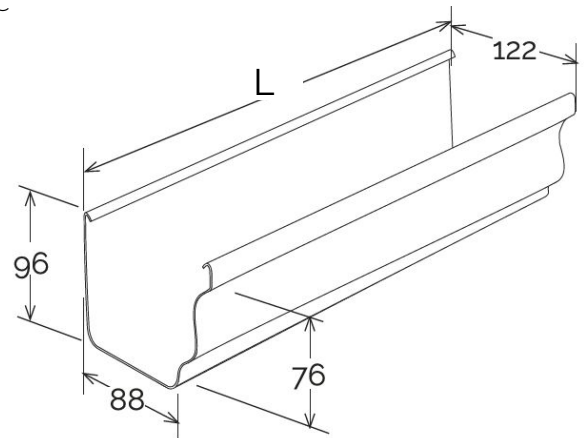
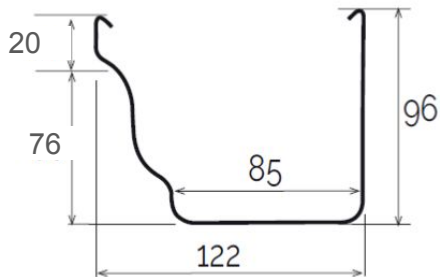


Gutter profile Best **COEX INNOVATION**

BEST
COEX[®]
INNOVATION



GRB120MC



Item	Colour	L mm	Gutter section area cm ²	Max water flow rate l/s
GRB120AN	anthracite	4000	93,2	2,6
GRB120MC	brown	4000	93,2	2,6
GRBO120C	red brown	4000	93,2	2,6

Material: PVC-U + Technopolymers

Features: Gutter composed of two co-extruded layers: PVC inside and mix of various polymers outside. This structure gives the external surface a metallic shine, resistance to UV rays and colour retention over time ($\Delta E < 5$ after 5000 hour xenotest exposure).

