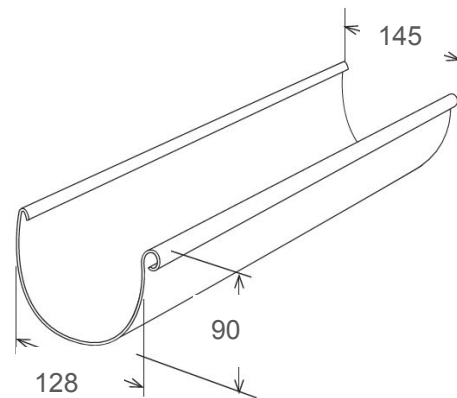
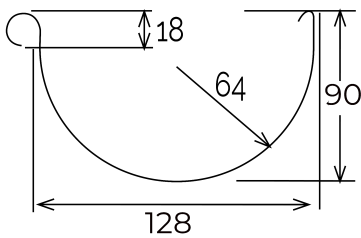


## Gutter profile ø 145



Item	Colour	L mm	Gutter section area cm <sup>2</sup>	Max water flow rate l/s
<b>GRI45GN</b>	grey	4000	70	1,57

**Material:** PVC-U

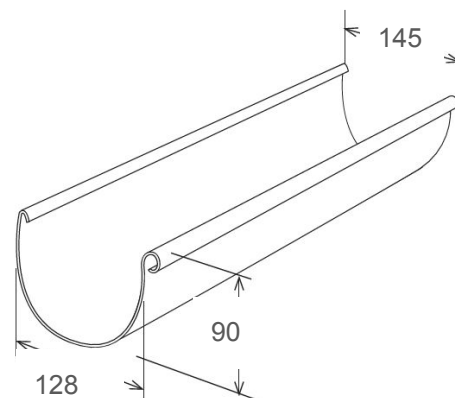
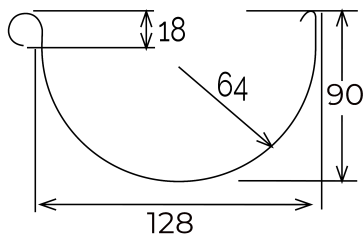
**Features:** Gutter extruded with a high performance production system.




## Gutter profile ø 145 **COEX INNOVATION**



**COEX**<sup>®</sup>  
INNOVATION



Item	Colour	L mm	Gutter section area cm <sup>2</sup>	Max water flow rate l/s
<b>GRI45MC</b>		4000	70	1,57

**Material:** PVC-U + Technopolymers

**Features:** Gutter composed of two co-extruded layers: PVC inside and mix of various polymers outside. This structure gives the external surface a metallic shine, resistance to UV rays and colour retention over time ( $\Delta e < 5$  after 5000 hour xenotest exposure).

