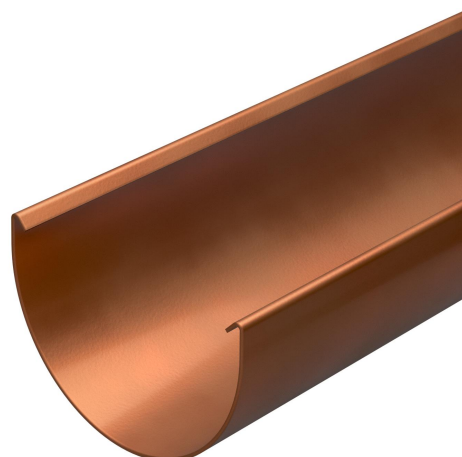
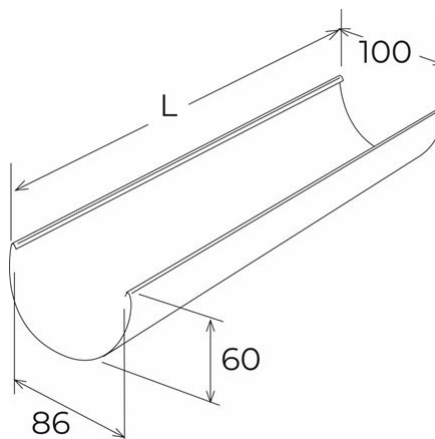
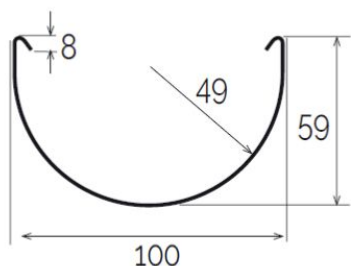


Gutter profile ø 100 **CUPRAELITE**



CUPRAELITE



Item	Colour	L mm	Gutter section area cm ²	Max water flow rate l/s
GR100R2	copper effect	2000	37,7	0,73

Material: PVC-U + Technopolymers

Features: Gutter composed of two co-extruded layers: PVC inside and mix of various polymers outside. This structure gives the external surface a metallic shine, resistance to UV rays and colour retention over time ($\Delta E < 5$ after 5000 hour xenotest exposure).

