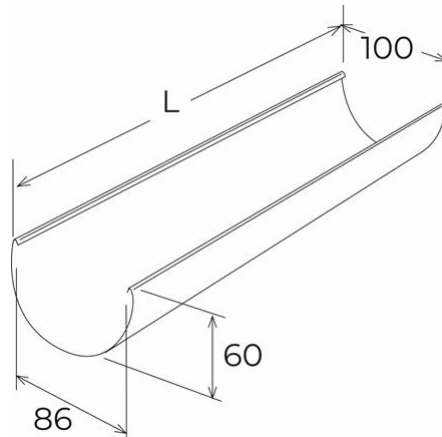
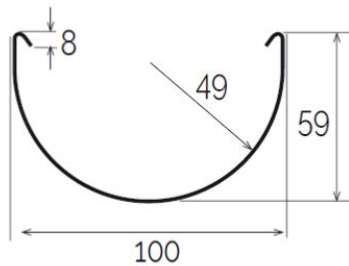
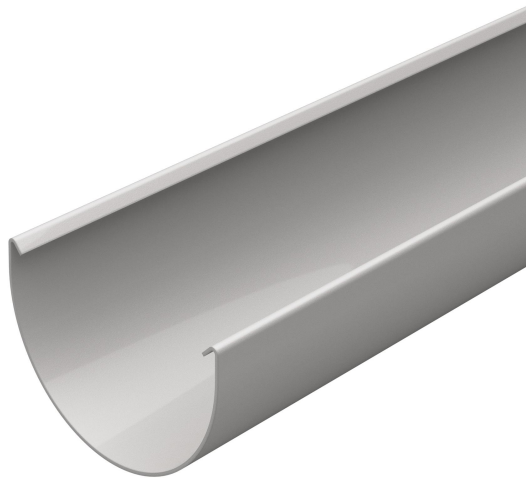


Gutter profile ø 100



Item	Colour	L mm	Gutter section area cm ²	Max water flow rate l/s
GR100GN	grey	4000	37,7	0,73
GR100GN2	grey	2000	37,7	0,73

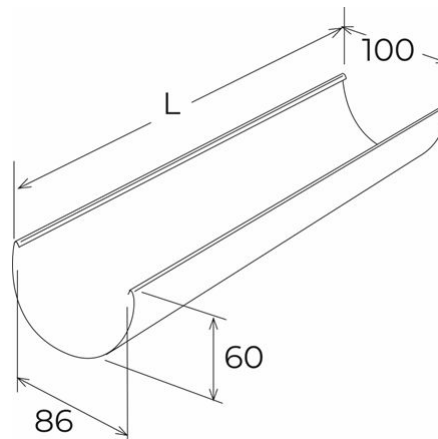
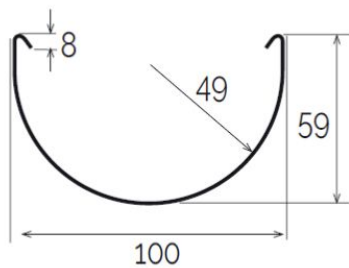
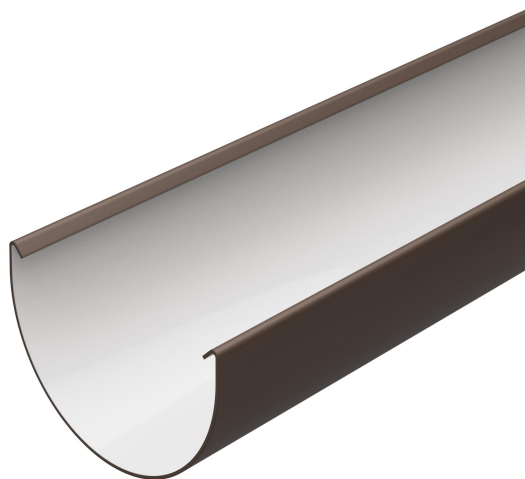
Material: PVC-U

Features: Gutter extruded with a high performance production system.



Gutter profile 100 **COEX INNOVATION**

COEX[®]
INNOVATION



Item	Colour	L mm	Gutter section area cm ²	Max water flow rate l/s
GR100MC	brown	4000	37,7	0,73
GR100MC2	brown	2000	37,7	0,73

Material: PVC-U + Technopolymers

Features: Gutter composed of two co-extruded layers: PVC inside and mix of various polymers outside. This structure gives the external surface a metallic shine, resistance to UV rays and colour retention over time ($\Delta E < 5$ after 5000 hour xenotest exposure).

