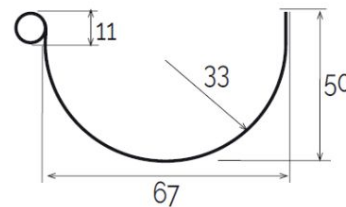
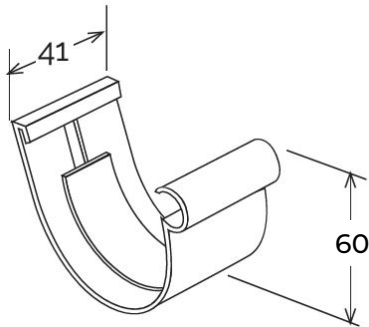


Simple joint for gutter profile 116



GNE116N



Section GRN116

Item	Colour	length mm	width mm	height mm	Weight g	Matched gutter profile
GNE116B	white	82	41	60	20	GRN116B
GNE116M	brown	82	41	60	20	GRN116M
GNE116N	grey	82	41	60	20	GRN116N
GNE116S	sand	82	41	60	20	GRN116S

Material: PVC-U

Features: The joint must be glued to the gutter by inserting it into the specific sockets. Clean the surfaces, then use PVC sealant glue (COFxxx).

