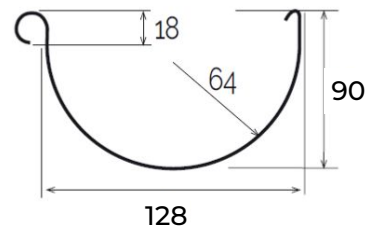
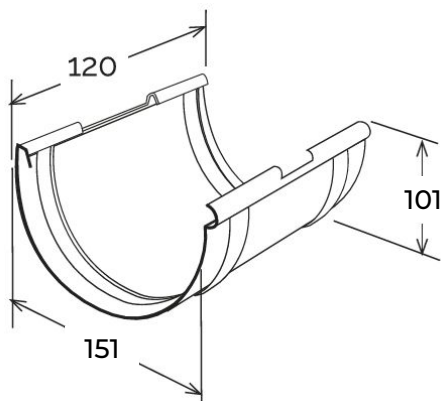
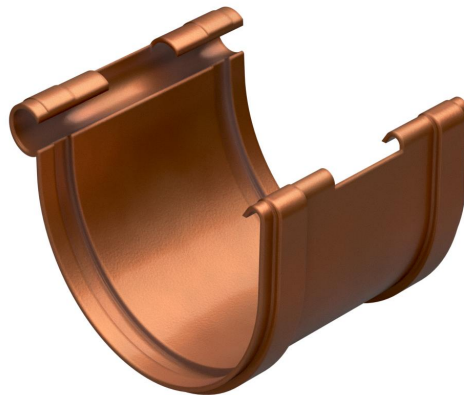


Simple joint BI-SYSTEM for gutter profile ø 145 **CUPRAELITE**

BI-SYSTEM

CUPRAELITE



Section GR145

Item	Colour	length mm	width mm	height mm	Weight g	Matched gutter profile
GN145R	copper effect	149	120	101	100	GR145R3

Material: Technopolymers

Features: The BI-SYSTEM joint can be used whether glued or fitted with gasket.
GLUING: The joint must be glued to the gutter by inserting it into the specific sockets. Clean the surfaces, then use PVC sealant glue (COFxxx).
FITTING: Clean the surfaces, then place the adhesive gasket (GU24) into its specific slot. Insert the gutter into the specific sockets.

