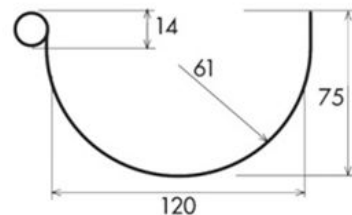
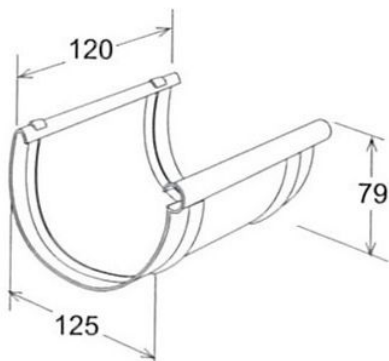


Simple joint BI-SYSTEM for gutter profile ø 125 **STEEL**

BI-SYSTEM

STEEL



Section GRN125

Item	Colour	length mm	width mm	height mm	Weight g	Matched gutter profile
GN125AC	steel effect	125	120	79	85	GRN125AC

Material: Technopolymers

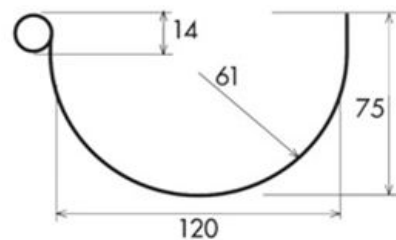
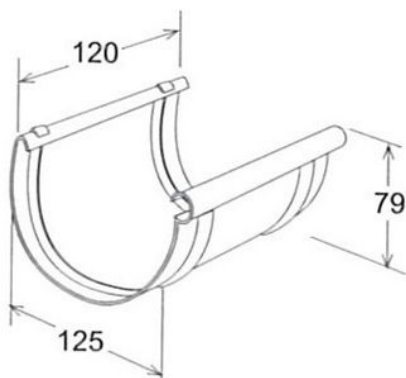
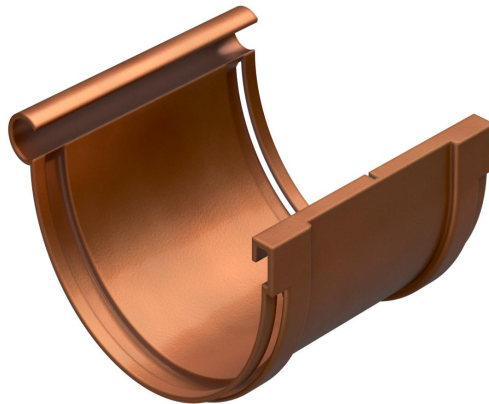
Features: The BI-SYSTEM joint can be used whether glued or fitted with gasket.
GLUING: The joint must be glued to the gutter by inserting it into the specific sockets. Clean the surfaces, then use PVC sealant glue (COFxxx).
FITTING: Clean the surfaces, then place the adhesive gasket (GU20) into its specific slot. Insert the gutter into the specific sockets.



Simple joint BI-SYSTEM for gutter profile ø 125 **CUPRAELITE**

BI-SYSTEM

CUPRAELITE



Section GRN125

Item	Colour	length mm	width mm	height mm	Weight g	Matched gutter profile
GN125R	copper effect	125	120	79	85	GRN125R

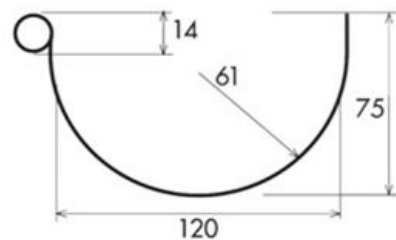
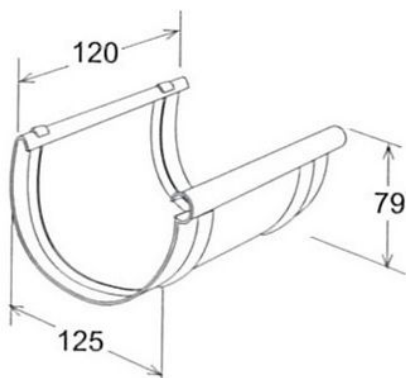
Material: Technopolymers

Features: The BI-SYSTEM joint can be used whether glued or fitted with gasket.
GLUING: The joint must be glued to the gutter by inserting it into the specific sockets. Clean the surfaces, then use PVC sealant glue (COFxxx).
FITTING: Clean the surfaces, then place the adhesive gasket (GU20) into its specific slot. Insert the gutter into the specific sockets.



Simple joint BI-SYSTEM for gutter profile \varnothing 125

BI-SYSTEM



Section GRN125

Item	Colour	length mm	width mm	height mm	Weight g	Matched gutter profile
GN125RA	antique copper effect	125	120	79	85	GRN125RA

Material: Technopolymers

Features: The BI-SYSTEM joint can be used whether glued or fitted with gasket.
GLUING: The joint must be glued to the gutter by inserting it into the specific sockets. Clean the surfaces, then use PVC sealant glue (COFxxx).
FITTING: Clean the surfaces, then place the adhesive gasket (GU20) into its specific slot. Insert the gutter into the specific sockets.

