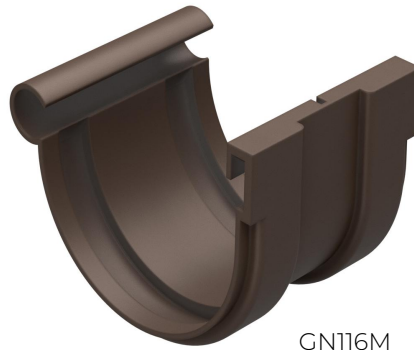
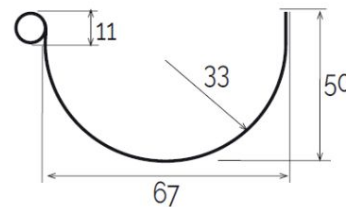
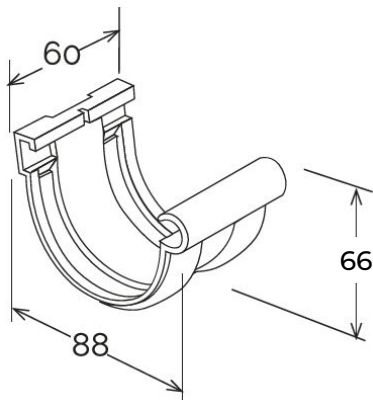


Simple joint BI-SYSTEM for gutter profile 116

BI-SYSTEM



GN116M



Section GRN116

Item	Colour	length mm	width mm	height mm	Weight g	Matched gutter profile	Certification IIP UNI EN 607:2023
GN116B	white	88	60	66	44	GRN116B	✓
GN116M	brown	88	60	66	44	GRN116M	✓
GN116N	grey	88	60	66	44	GRN116N	✓
GN116S	sand	88	60	66	44	GRN116S	✓

Material: PVC-U

Features:

The BI-SYSTEM joint can be used whether glued or fitted with gasket.

GLUING: The joint must be glued to the gutter by inserting it into the specific sockets. Clean the surfaces, then use PVC sealant glue (COFxxx).

FITTING: Clean the surfaces, then place the adhesive gasket (GU12) into its specific slot. Insert the gutter into the specific sockets.

