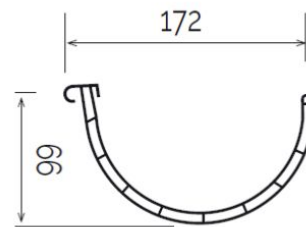
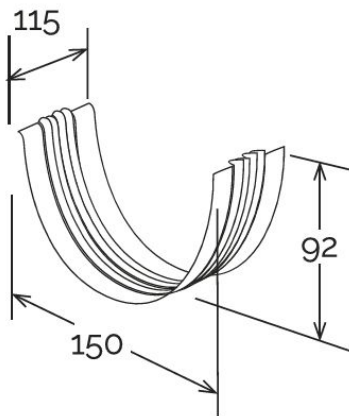
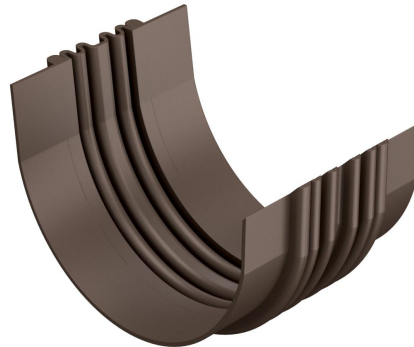


Assembled joint for double-walled gutter profile G86 **GROND PLAST**



Section GRG86

Item	Colour	length mm	width mm	height mm	Matched gutter profile
GAG86	brown	150	115	92	GRG8640

Material: PVC-U

Features: The joint must be glued to the gutter by inserting it into the specific socket. Clean the surfaces, then use PVC sealant glue (COFxxx).

