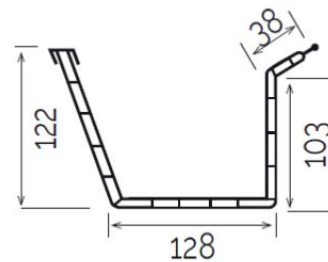
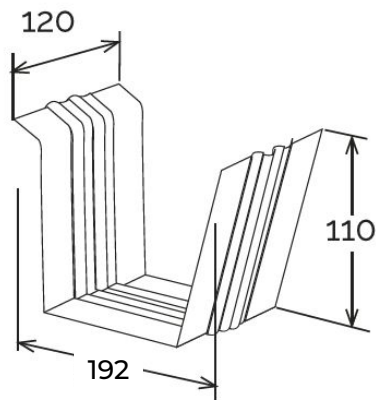
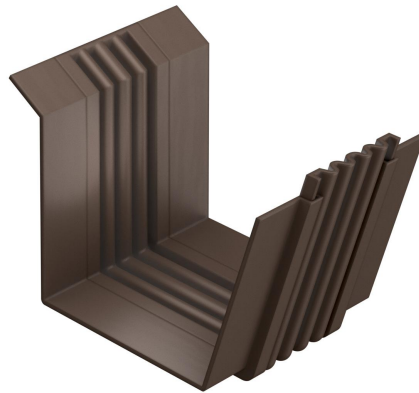


## Assembled joint for double-walled gutter profile G2 **GROND PLAST**



Section GRG2

| Item        | Colour | length mm | width mm | height mm | Matched gutter profile |
|-------------|--------|-----------|----------|-----------|------------------------|
| <b>GAG2</b> | brown  | 192       | 120      | 110       | GRG240                 |

**Material:** PVC-U

**Features:** The joint must be glued to the gutter by inserting it into the specific socket. Clean the surfaces, then use PVC sealant glue (COFxxx).

