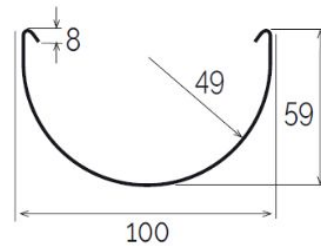
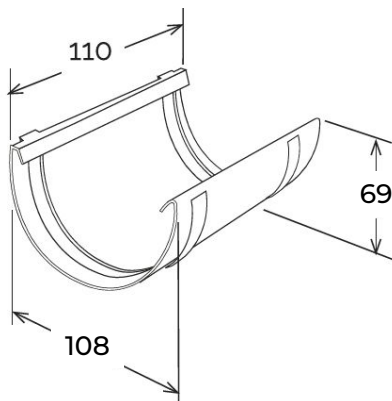
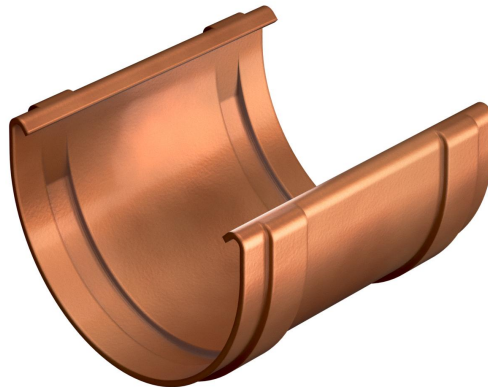


## Simple joint BI-SYSTEM for gutter profile ø 100 **CUPRAELITE**

**BI-SYSTEM**

**CUPRAELITE**



Section GR100

Item	Colour	length mm	width mm	height mm	Weight g	Matched gutter profile
<b>G100R</b>	copper effect	108	110	69	58	GR100R2

**Material:** Technopolymers

**Features:** The BI-SYSTEM joint can be used whether glued or fitted with gasket.  
**GLUING:** The joint must be glued to the gutter by inserting it into the specific sockets. Clean the surfaces, then use PVC sealant glue (COFxxx).  
**FITTING:** Clean the surfaces, then place the adhesive gasket (GU14) into its specific slot. Insert the gutter into the specific sockets.

