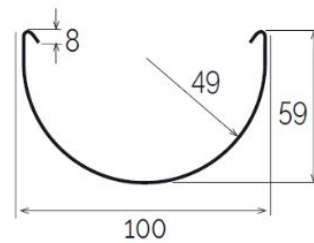
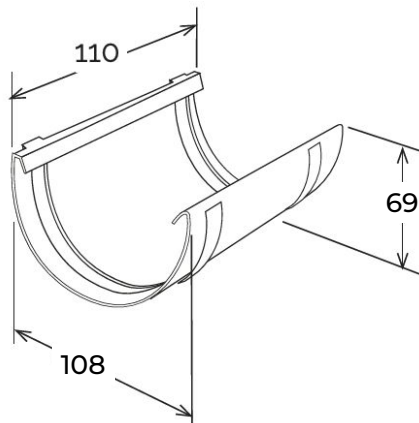


Simple joint BI-SYSTEM for gutter profile $\varnothing 100$

BI-SYSTEM



G100GN



Section GR100

Item	Colour	length mm	width mm	height mm	Weight g	Matched gutter profile
G100GN	grey	108	110	69	70	GR100GN
G100M	brown	108	110	69	70	GR100MC

Material: PVC-U

Features:

The BI-SYSTEM joint can be used whether glued or fitted with gasket.

GLUING: The joint must be glued to the gutter by inserting it into the specific sockets. Clean the surfaces, then use PVC sealant glue (COFxxx).

FITTING: Clean the surfaces, then place the adhesive gasket (GU14) into its specific slot. Insert the gutter into the specific sockets.

