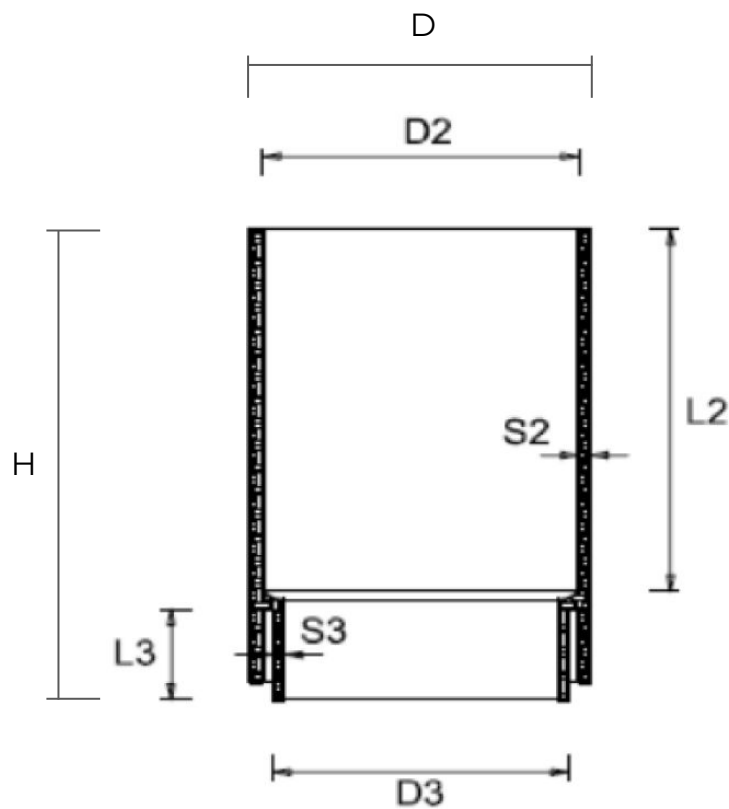


Coupler for gutter down pipes 100x100



FFQ1010N



Item	Colour	D3 mm	D2 mm	L3 mm	L2 mm	S3 mm	S2 mm	D mm	H mm	Weight g
FFQ1010N	grey	94	100,6	25	100	2,9	2,3	107	132	216
FFQ1010M	brown	94	100,6	25	100	2,9	2,3	107	132	216

Material: PVC-U

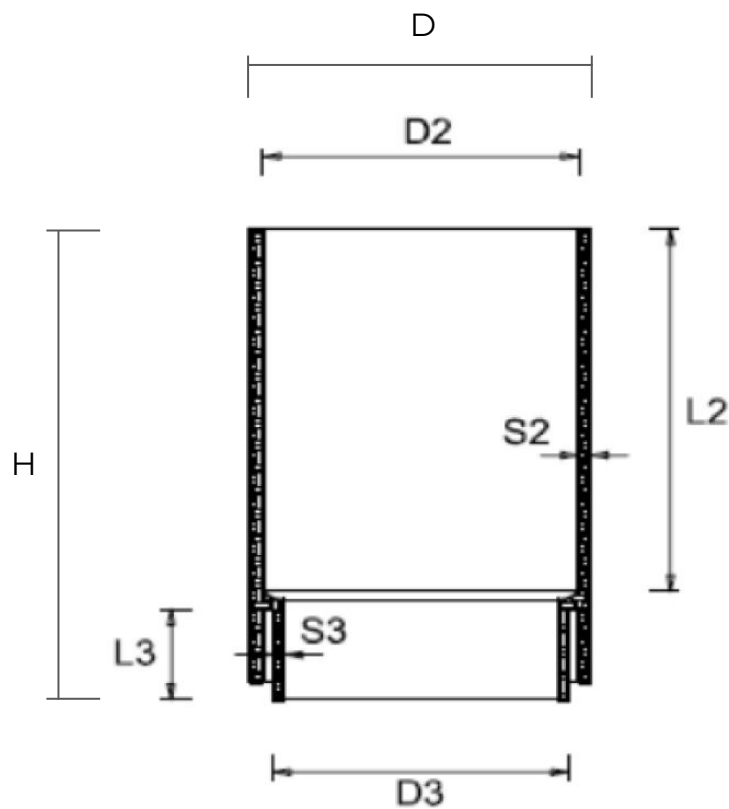
Features: Coupler for gutter down pipes made with a high performance production system.



Coupler for gutter down pipes 80x80



FFQ8080N



Item	Colour	D3 mm	D2 mm	L3 mm	L2 mm	S3 mm	S2 mm	D mm	H mm	Weight g
FFQ8080N	grey	74	80,6	25	100	2,3	2	85	131	154
FFQ8080M	brown	74	80,6	25	100	2,3	2	85	131	154

Material: PVC-U

Features: Coupler for gutter down pipes made with a high performance production system.

