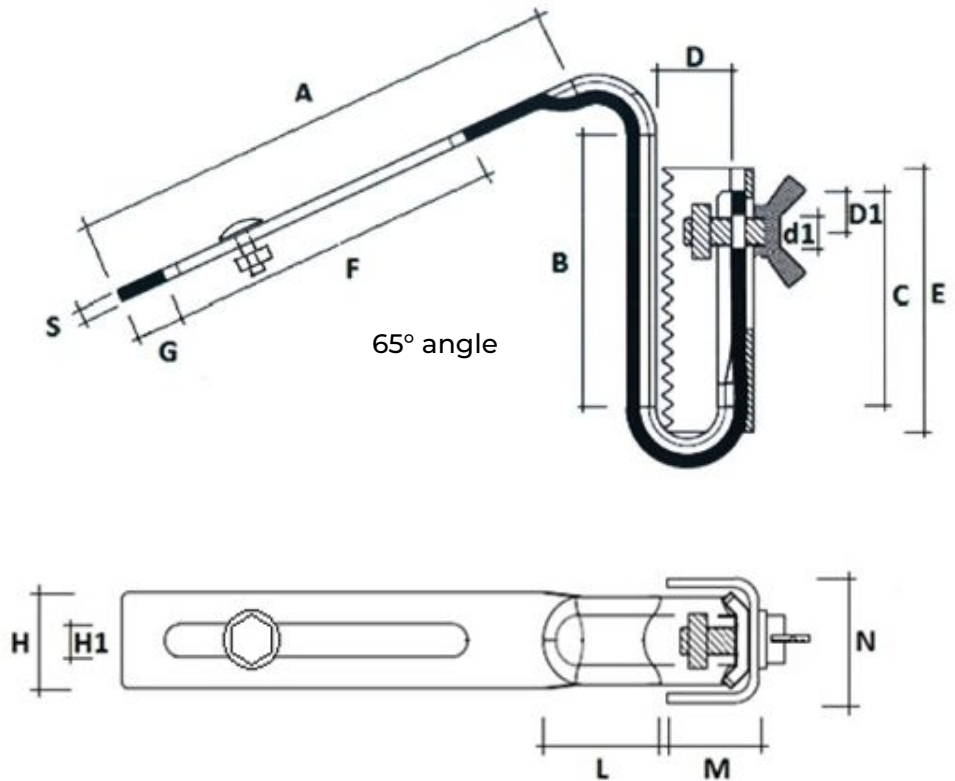


## Clamp for gutter brackets



Item	Weight g.	A mm	B mm	C mm	D mm	E mm	F mm	G mm	D1 mm	d1 mm	S mm	H mm	H1 mm	L mm	M mm	N mm
ET1000	140	105	57	30	13	56	70	10	8	7,2 ±0,2	2,5 ±0,1	20 ±0,2	6,8 ±0,2	20	20	25

**Material:** Galvanized metal

**Colour:** Metal

**Features:** The rafter is made of metal worked with anti corrosive treatment (zinc plating) for protection against atmospheric agents.  
The rafter has a wing screw to be easily fixed to the roof and M6 screw+nut in the long slot where a plastic bracket can be fixed on.

