

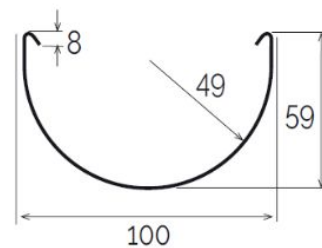
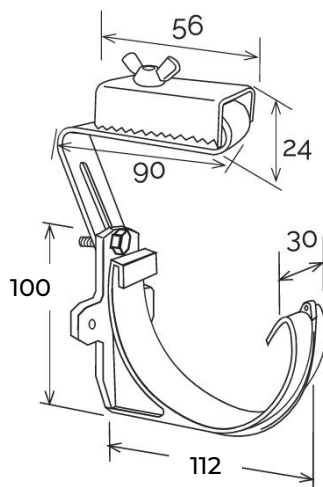
Bracket with rafter for gutter profile ø 100 **CUPRAELITE**

CUPRAELITE



ET1000

CIP100R



Section GR100

Item	Colour	length mm	width mm	height mm	Weight g	Matched gutter profile
CIPM100R	copper effect	116	50	210 max	185	GR100R2

Material: Technopolymers, galvanized metal

Features: The item is composed by CIP100R bracket and ET1000 rafter assembled together. It complies with the required load resistance as per standard EN 1462.

