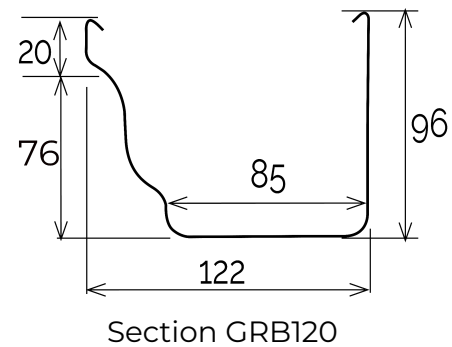
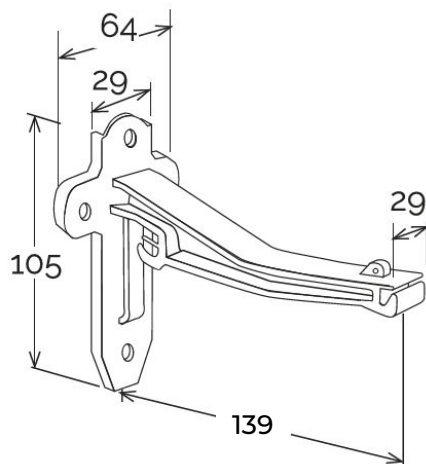
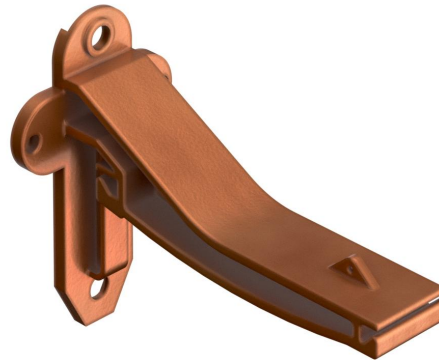


## Bracket for gutter profile Best **CUPRAELITE**

**BEST**  
**CUPRAELITE**



Item	Colour	length mm	width mm	height mm	Weight g	Matched gutter profile
<b>CIPB120R</b>	copper effect	139	64	105	64	GRB120R

**Material:** Technopolymers

**Features:** The bracket can be fixed directly to the wall with screws through the two lateral holes ( $\varnothing$  5,5 mm) or on the zinc plated roof rafter (item ST1000) inserted in the specific socket on the rear of the bracket, fixing it with screw+nut through the central hole ( $\varnothing$  7,5 mm). The bracket complies with the required load resistance as per standard EN 1462.

