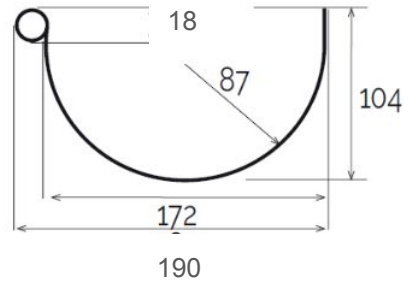
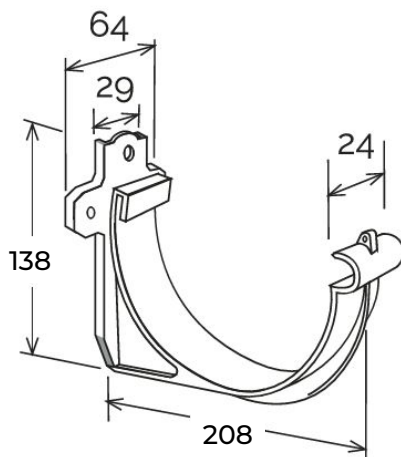
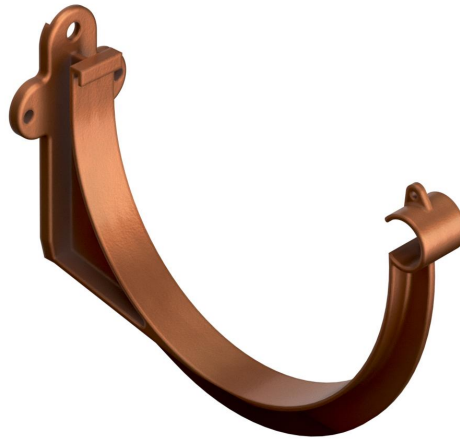


## Bracket for gutter profile $\varnothing$ 133 **CUPRAELITE**

**CUPRAELITE**



Section GRN133

Item	Colour	length mm	width mm	height mm	Weight g	Matched gutter profile
<b>CIP133R</b>	copper effect	208	64	138	80	GRN133R

**Material:** Technopolymers

**Features:** The bracket can be fixed directly to the wall with screws through the two lateral holes ( $\varnothing$  5,5 mm) or on the zinc plated roof rafter (item ST1000) inserted in the specific socket on the rear of the bracket, fixing it with screw+nut through the central hole ( $\varnothing$  8,0 mm). The bracket complies with the required load resistance as per standard EN 1462.

